



Diaphragm valve type DIASTAR PVC-U
Series 025 FO (Fail safe to open)
With fixed flanges PVC-U metric

Model:

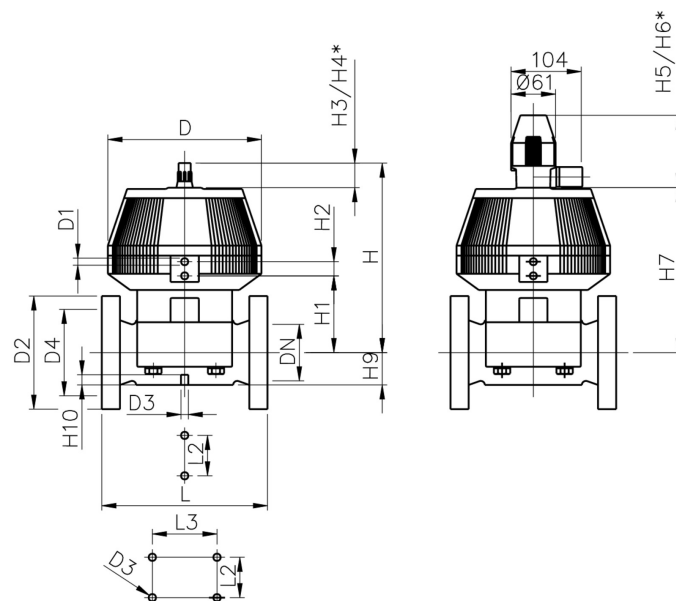
- Connecting dimension: ISO 7005 / EN 1092 / DIN 25 PN10 / BS4504
- With position indicator / Working pressure: **one side**
- * with backing flanges PVC-U metric
- ** **DN80, DN100 and DN150 fixed flanges metric and inch ANSI B16.5**

	d (mm)	Size (inch)	DN (mm)	PN (bar)	kv-value ($\Delta p=1$ bar) (l/min)	EPDM Code	Weight (kg)
*	75	2 ½	65	10	992	199 025 137	11.744
**	90	3	80	10	1700	199 025 138	13.950
**	110	4	100	6	2700	199 025 139	21.901
**	160	6	150	6	6033	199 025 140	35.000

	d (mm)	FKM Code	PTFE/EPDM Code	Weight (kg)
*	75		199 025 167	13.600
**	90	199 025 078	199 025 168	14.137
**	110	199 025 079	199 025 169	24.700
**	160	199 025 080	199 025 170	35.000

	d (mm)	D (mm)	D1_G (inch)	D2 (mm)	D3[M] (mm)	D4 (mm)	H (mm)	H1 (mm)	H2 (mm)	H3 (mm)	H4 (mm)	H5 (mm)	H6 (mm)	H7 (mm)	H9 (mm)
*	75	280	¼	185	8	145	344	148	24	46	100	129	195	298	46
**	90	280	¼	200	12	160	348	150	24	46	100	129	195	302	57
**	110	335	¼	225	12	180	395	176	24	46	100	129	195	349	69
**	160	335	¼	285	12	240	455	237	24	46	100	129	195	409	108

	d (mm)	H10 (mm)	L (mm)	L2 (mm)	L3 (mm)
*	75	15	290	70	
**	90	15	310	120	
**	110	20	350	120	
**	160	20	480	100	200



Data sheet

valid from: 4/13/26



The technical data are not binding. They neither constitute expressly warranted characteristics nor guaranteed properties nor a guaranteed durability. They are subject to modification. Our General Terms of Sale apply.

Georg Fischer Piping Systems Ltd, Postfach, CH-8201 Schaffhausen/Switzerland Phone +41 -(0)52-631 1111 e-mail:
info.ps@georgfischer.com Internet: <http://www.gfps.com>