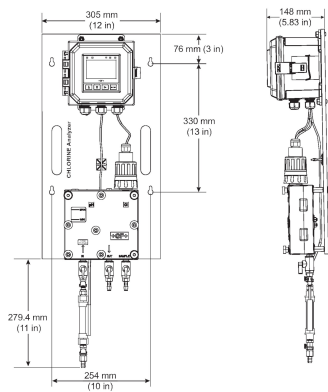


4632 Chlorine Dioxide Analyzer System

Chlorine:

- Reagent free measuring
- Built-in flow regulator maintains constant flow and pressure to the sensors regardless of inlet pressure
- Complete panel system allows for quick and easy installation
- Chemical Guard prevents over dosing of oxidants chemicals
- Built-in flow switch
- Chlorine Dioxide and pH electrode performance data (optional pH)
- Automatic time stamp after successful calibration
- Customer enabled alarm feature for recalibration



| MFR # | Operating Range | Description | Code |
|-----------|-----------------|---|--------------------|
| 3-4632-12 | 0.02-2 ppm | Chlorine Dioxide panel, 0 to 2 ppm/mg/l, no pH sensor | 159 001 952 |
| 3-4632-13 | 0.02-2 ppm | Chlorine Dioxide panel, 0 to 2 ppm/mg/l, with pH sensor | 159 001 958 |

The technical data are not binding. They neither constitute expressly warranted characteristics nor guaranteed properties nor a guaranteed durability. They are subject to modification. Our General Terms of Sale apply.

Georg Fischer Piping Systems Ltd, Postfach, CH-8201 Schaffhausen/Switzerland

Phone +41 -(0)52-631 1111

e-mail: info.ps@georgfischer.com

Internet: <http://www.gfps.com>