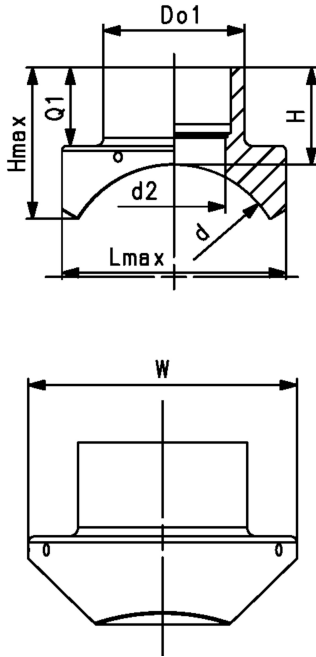


ELGEF Plus Branch saddle topload PE100
d710-2000mm / SDR17 / Outlet d315-d500 mm

- 5 bar Gas / 10 bar Water
- Angle adaptors (799.350.340) for fusion cable required
- Branch saddle installation only with installation set Topload TL500 (799.300.809)
- 4 mm pin connectors
- Spigot outlet for butt- and electrofusion
- Full pressure applicable - no derating factor
- With integrated thread for pressure test with separate pressure test cap 799.199.288 (outlet d315) / 799.199.289 (outlet d500)



d	d2	Do1	DN	PN	Code	Weight
(mm)	(mm)	(mm)	(mm)	(bar)		(kg)
710	250	315	700	10	193 135 676	14.000
800	250	315	800	10	193 135 686	13.500
900	250	315	900	10	193 135 696	13.100
900	397	500	900	10	193 135 698	32.600
1000	250	315	1000	10	193 135 706	12.800
1000	397	500	1000	10	193 135 708	31.400
1200	250	315	1200	10	193 135 716	12.300
1200	397	500	1200	10	193 135 718	29.400
1400	250	315	1400	10	193 135 726	11.900
1400	397	500	1400	10	193 135 728	28.100
1600	250	315	1600	10	193 135 736	11.700
1600	397	500	1600	10	193 135 738	27.100
2000	250	315	2000	10	193 135 746	11.300
2000	397	500	2000	10	193 135 748	25.700

d	Lmax	Q1	W	H	Hmax	Suitable for
(mm)	(mm)	(mm)	(mm)	(mm)	(mm)	
710	500	174	500	216	296	SDR Pipe 11-33
800	500	174	500	216	287	SDR Pipe 11-33
900	500	174	500	216	282	SDR Pipe 11-33
900	700	237	700	280	406	SDR Pipe 11-33
1000	500	174	500	216	274	SDR Pipe 11-33
1000	700	237	700	280	397	SDR Pipe 11-33
1200	500	174	500	216	267	SDR Pipe 11-33
1200	700	237	700	280	377	SDR Pipe 11-33
1400	500	174	500	216	257	SDR Pipe 11-33
1400	700	237	700	280	262	SDR Pipe 11-33
1600	500	174	500	216	252	SDR Pipe 11-33
1600	700	237	700	280	352	SDR Pipe 11-33
2000	500	174	500	216	246	SDR Pipe 11-33
2000	700	237	700	280	337	SDR Pipe 11-33

The technical data are not binding. They neither constitute expressly warranted characteristics nor guaranteed properties nor a guaranteed durability. They are subject to modification. Our General Terms of Sale apply.

Georg Fischer Piping Systems Ltd, Postfach, CH-8201 Schaffhausen/Switzerland Phone +41 -(0)52-631 1111 e-mail: info.ps@georgfischer.com Internet: <http://www.gfps.com>