



PVC-C 气动蝶阀 244型
FC (常关)
凸耳式 美标法兰ANSI/ASME

型号:

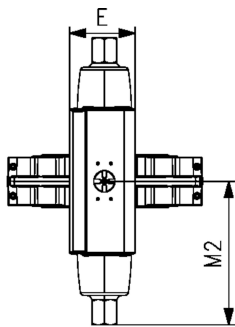
- (阀体) 外壳材质: PP-GF30, SS316凸耳内嵌
- 控制范围: 90°<
- 总长度符合EN 558, ISO 5752标准
- 连接尺寸: ANSI/ASME B 16.5 Class 150

选项:

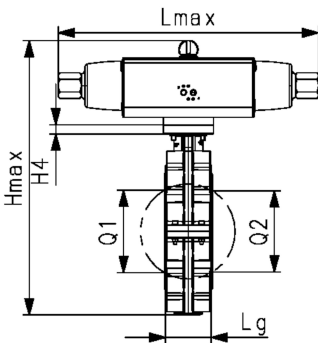
- 可选项: 位置反馈及限位开关 (限位开关需要单独采购)

注:

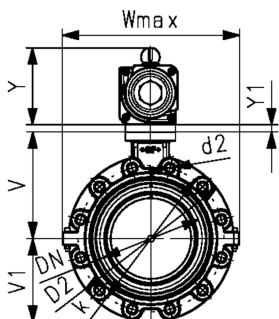
对于某些材料组合 (例如DN300阀门与PE/PP管道), 需要特殊的法兰适配器。请查看 www.gfps.com 上的“完美法兰连接工具”



| d (mm) | Size (inch) | DN (mm) | PN (bar) | kv-value ($\Delta p=1$ bar) (l/min) | EPDM code | SP weight (kg) | FKM code | SP weight (kg) |
|-----------|----------------|------------|-------------|---|--------------------|-------------------|--------------------|-------------------|
| 63 | 2 | 50 | 10 | 740 | 199 244 162 | 1, 3,499 | 199 244 182 | 1, 3,499 |
| 75 | 2 1/2 | 65 | 10 | 1500 | 199 244 163 | 1, 3,656 | 199 244 183 | 1, 3,656 |
| 90 | 3 | 80 | 10 | 2400 | 199 244 164 | 1, 4,692 | 199 244 184 | 1, 4,692 |
| 110 | 4 | 100 | 10 | 3800 | 199 244 165 | 1, 6,406 | 199 244 185 | 1, 6,406 |
| 140 | 5 | 125 | 10 | 8600 | 199 244 166 | 1, 9,222 | 199 244 186 | 1, 9,222 |
| 160 | 6 | 150 | 10 | 11400 | 199 244 167 | 1, 12,902 | 199 244 187 | 1, 12,902 |
| 225 | 8 | 200 | 10 | 19900 | 199 244 168 | 1, 16,691 | 199 244 188 | 1, 16,691 |
| 280 | 10 | 250 | 10 | 34000 | 199 244 169 | 1, 33,880 | 199 244 189 | 1, 33,880 |
| 315 | 12 | 300 | 5 | 50000 | 199 244 170 | 1, 43,985 | 199 244 190 | 1, 43,985 |



| d (mm) | Size (inch) | Hmax (mm) | Lmax (mm) | Wmax (mm) | U (mm) | V (mm) | H4 (mm) | V1 (mm) | Lg (mm) | D2 (mm) | Q1 (mm) | Q2 (mm) |
|-----------|----------------|--------------|--------------|--------------|-----------|-----------|------------|------------|------------|------------|------------|------------|
| 63 | 2 | 328,1 | 274,4 | 165 | 90 | 133,3 | 23 | 78,8 | 44,7 | 160 | 40 | |
| 75 | 2 1/2 | 341,0 | 274,4 | 182 | 90 | 139,9 | 23 | 85,1 | 45,7 | 180 | 54 | 35 |
| 90 | 3 | 365,7 | 325,2 | 210 | 90 | 145,6 | 23 | 91,2 | 48,7 | 195 | 67 | 50 |
| 110 | 4 | 388,3 | 359,6 | 240 | 90 | 166,0 | 23 | 107,5 | 55,6 | 226 | 88 | 74 |
| 140 | 5 | 452,2 | 418,0 | 272 | 90 | 180,0 | 23 | 122,7 | 63,5 | 258 | 113 | 97 |
| 160 | 6 | 476,6 | 434,0 | 280 | 90 | 189,0 | 23 | 134,5 | 71,5 | 284 | 139 | 123 |
| 225 | 8 | 532,0 | 498,4 | 360 | 90 | 210,5 | 23 | 161,5 | 72,5 | 341 | 178 | 169 |
| 280 | 10 | 679,5 | 646,0 | 440 | 125 | 264,4 | 23 | 206,9 | 113,2 | 412 | 210 | 207 |
| 315 | 12 | 749,0 | 681,0 | 510 | 125 | 285,2 | 23 | 235,5 | 114,6 | 482 | 256 | 253 |



| d (mm) | Size (inch) | d2 | k (mm) | Y (mm) | E (mm) | Y1 (mm) | M2 (mm) |
|-----------|----------------|---------|-----------|-----------|-----------|------------|------------|
| 63 | 2 | UNC 5/8 | 120,7 | 98,2 | 70,4 | 15,0 | 137,2 |
| 75 | 2 1/2 | UNC 5/8 | 139,7 | 98,2 | 70,4 | 15,0 | 137,2 |
| 90 | 3 | UNC 5/8 | 152,4 | 111,1 | 83,3 | 15,0 | 162,6 |
| 110 | 4 | UNC 5/8 | 190,5 | 114,8 | 87,0 | | 179,8 |
| 140 | 5 | UNC 3/4 | 215,9 | 149,5 | 107,5 | | 209,0 |
| 160 | 6 | UNC 3/4 | 241,3 | 153,1 | 111,1 | | 217,0 |
| 225 | 8 | UNC 3/4 | 298,5 | 160,0 | 118,0 | | 249,2 |
| 280 | 10 | UNC 7/8 | 362,0 | 190,0 | 148,0 | 18,2 | 323,0 |
| 315 | 12 | UNC 7/8 | 431,8 | 210,1 | 168,0 | 18,2 | 340,5 |

The technical data are not binding. They neither constitute expressly warranted characteristics nor guaranteed properties nor a guaranteed durability. They are subject to modification. Our General Terms of Sale apply.

Data sheet

valid from: 2025/12/13



Georg Fischer Piping Systems Ltd, Postfach, CH-8201 Schaffhausen/Switzerland Phone +41 -(0)52-631 1111 e-mail:
info.ps@georgfischer.com Internet: <http://www.gfps.com>