

Data sheet

valid from: 2026/4/9



*



SYGEF 317型 隔膜阀 PVDF 带PVDF法兰 日标JIS

型号:

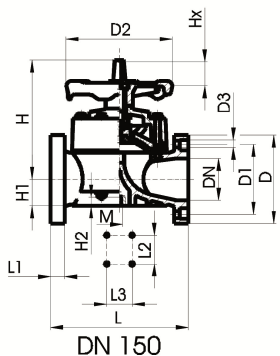
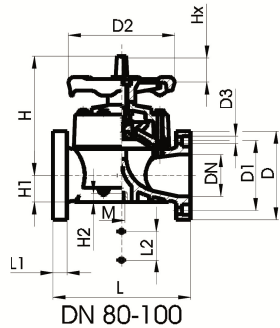
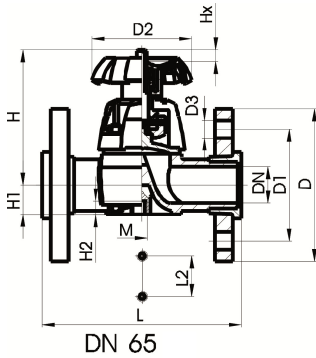
- 平接合面
- 总长度符合EN558标准

选项:

- DN15-DN65可锁手轮 (标准版本不可锁)

d (mm)	DN (mm)	Size (inch)	PN (bar)	kv-value ($\Delta p=1$ bar) (l/min)	PTFE/ EPDM code	weight (kg)
75	65	2 1/2	10	992	175 317 923	5,700
90	80	3	10	1700	175 317 839	10,900
110	100	4	10	2700	175 317 840	15,400
160	150	6	7	6033	175 317 842	31,000

D (mm)	D1 (mm)	D2 (mm)	D3 (mm)	H (mm)	H1 (mm)	H2 (mm)	L (mm)	L1 (mm)	L2 (mm)	L3 (mm)	M	Lift = Hx (mm)	AL
175	140	152	18	201	46	15	250		70		M8-	30	4
185	150	270	18	265	57	23	280	35	120		M12	40	8
210	175	270	18	304	69	23	340	35	120		M12	50	8
230	240	400	22	437	108	23	480	26	100	200	M12	70	8



The technical data are not binding. They neither constitute expressly warranted characteristics nor guaranteed properties nor a guaranteed durability. They are subject to modification. Our General Terms of Sale apply.

Data sheet

valid from: 2026/4/9



Georg Fischer Piping Systems Ltd, Postfach, CH-8201 Schaffhausen/Switzerland Phone +41 -(0)52-631 1111 e-mail:
info.ps@georgfischer.com Internet: <http://www.gfps.com>