

**Diaphragm valve DIASTAR Ten PVC-C  
DA (Double acting)  
Unions with solvent cement sockets ASTM**

**Model:**

- Double flow rate compared to predecessor
- One housing nut replaces four screws
- Rotating air connection at 90° intervals
- For easy installation and removal
- Short overall length

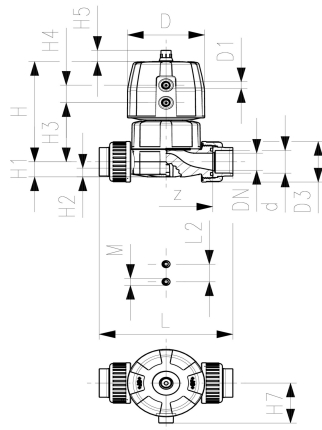
**Option:**

- Individual configuration of the valve
- Comprehensive range of accessories available

\* PN: PTFE

Working Pressure: **one side**

\* O-Ring material: FKM



d (mm)	DN (mm)	Size (inch)	PN (bar)	PN* (bar)	kv-value (Δp=1 bar) (l/min)	EPDM Code	SP	Weight (kg)
20	15	½	10	10*	125	<b>163 654 612</b>	1	0.538
25	20	¾	10	10*	271	<b>163 654 613</b>	1	0.930
32	25	1	10	10*	481	<b>163 654 614</b>	1	1.166
40	32	1 ¼	10	10*	759	<b>163 654 615</b>	1	1.841
50	40	1 ½	10	10*	1263	<b>163 654 616</b>	1	3.078
63	50	2	10	10*	1728	<b>163 654 617</b>	1	4.005

FKM Code	PTFE/EPDM Code	SP	Weight (kg)
<b>163 654 662</b>	<b>163 654 632</b>	1	0.526
<b>163 654 663</b>	<b>163 654 633</b>	1	0.907
<b>163 654 664</b>	<b>163 654 634</b>	1	1.137
<b>163 654 665</b>	<b>163 654 635</b>	1	1.781
<b>163 654 666</b>	<b>163 654 636</b>	1	2.992
<b>163 654 667</b>	<b>163 654 637</b>	1	3.840

D	D1_G	H	H1	H2	H3	H4	H5	H7	L	L2	M	z	Lift = Hx (mm)
(mm)	(inch)	(mm)	(mm)	(mm)	(mm)	(mm)	(mm)	(mm)	(mm)	(mm)		(mm)	
68	⅝	101	14	12	60	24	16	43	141	25	M6	96	7
96	⅝	132	18	12	73	25	16	57	165	25	M6	114	10
96	⅝	143	22	12	84	25	16	57	179	25	M6	122	13
120	⅝	173	26	15	99	26	26	69	204	45	M8	140	15
150	¾	214	32	15	119	36	26	88	230	45	M8	160	19
150	¾	226	39	15	132	36	26	88	268	45	M8	190	23

The technical data are not binding. They neither constitute expressly warranted characteristics nor guaranteed properties nor a guaranteed durability. They are subject to modification. Our General Terms of Sale apply.

Georg Fischer Piping Systems Ltd, Postfach, CH-8201 Schaffhausen/Switzerland Phone +41 -(0)52-631 1111 e-mail:  
info.ps@georgfischer.com Internet: <http://www.gfps.com>