

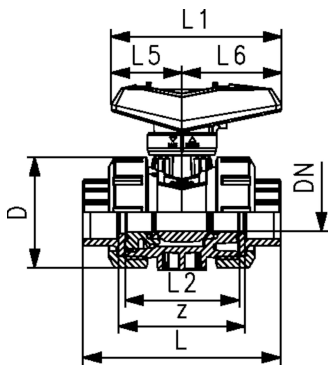
PVC-U 546Pro球阀
带胶粘承插端 美标
包含2个NPT螺纹阀端
带PP-GF活接螺母

型号:

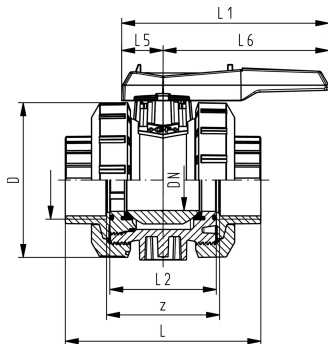
- 标配带可锁手柄 (DN10-DN50)
- 安装简单, 易拆卸
- PTFE球密封
- 内置不锈钢固定螺孔
- 带2个NPT内螺纹阀端 (DN10/15-DN50)
- 螺纹阀端只限于DN10/15-50
- Z尺寸、阀端和活接螺母与546型球阀 (第1代) 兼容

选项:

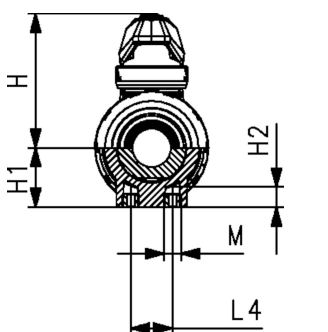
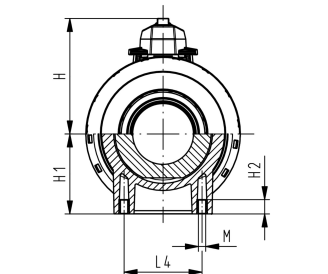
- 连接件模块带阀位反馈传感器、带LED指示灯 (DN10-DN50)
- 可配弹簧复位手柄(DN10-25)
- 可配GF气动或电动执行器
- 可提供其他阀门配置
- DN65-DN100 可选配内置限位开关的多功能模块



d (mm)	DN (mm)	Size (inch)	PN (bar)	kv-value (Δp=1 bar) (l/min)	EPDM code	SP weight (kg)	FKM code	SP weight (kg)
16	10	3/8	16	71	700 247 541	1, 0,157	700 247 551	1, 0,184
20	15	1/2	16	185	700 247 542	1, 0,233	700 247 552	1, 0,200
25	20	3/4	16	350	700 247 543	1, 0,245	700 247 553	1, 0,342
32	25	1	16	700	700 247 544	1, 0,483	700 247 554	1, 0,486
40	32	1 1/4	16	1000	700 247 545	1, 0,796	700 247 555	1, 0,740
50	40	1 1/2	16	1600	700 247 546	1, 1,089	700 247 556	1, 0,850
63	50	2	16	3100	700 247 547	1, 1,922	700 247 557	1, 1,934
75	65	2 1/2	16	5000	700 247 548	1, 4,363	700 247 558	1, 4,900
90	80	3	16	7000	700 247 549	1, 5,376	700 247 559	1, 7,400
110	100	4	16	11000	700 247 550	1, 9,633	700 247 560	1, 9,707



D (mm)	H (mm)	H1 (mm)	H2 (mm)	L (mm)	L1 (mm)	L2 (mm)	L4 (mm)	L5 (mm)	L6 (mm)	M	z (mm)
50	61	27	12	105	82	56	25	35	47	M6	68
50	61	27	12	105	82	56	25	35	47	M6	67
58	74	30	12	122	106	65	25	44	62	M6	76
68	80	36	12	134	106	71	25	44	62	M6	82
84	95	44	15	155	131	85	45	57	74	M8	98
97	102	51	15	164	131	89	45	57	74	M8	99
124	117	64	15	184	152	101	45	66	86	M8	111
166	150	85	15	234	270	136	70	64	206	M8	148
200	161	105	15	255	270	141	70	64	206	M8	163
238	178	123	22	301	320	164	120	64	256	M12	178



Data sheet

valid from: 2026/3/31



The technical data are not binding. They neither constitute expressly warranted characteristics nor guaranteed properties nor a guaranteed durability. They are subject to modification. Our General Terms of Sale apply.

Georg Fischer Piping Systems Ltd, Postfach, CH-8201 Schaffhausen/Switzerland Phone +41 -(0)52-631 1111 e-mail:
info.ps@georgfischer.com Internet: <http://www.gfps.com>