

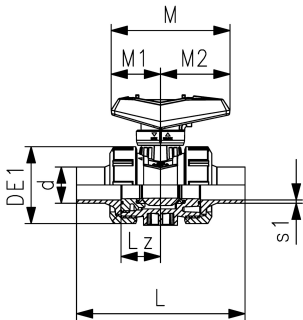
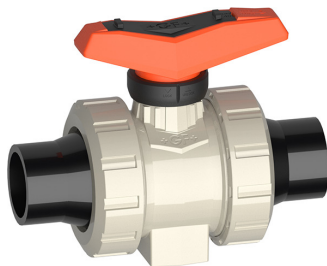
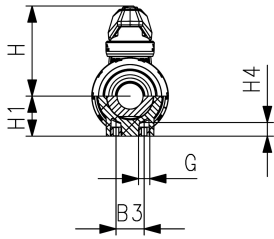
PROGEF Standard Ball Valve type 546 Pro
With butt fusion spigots PE100 SDR11 ISO

Model:

- Lockable lever as standard
- Ball seat PTFE
- Integrated stainless steel mounting inserts
- Z-dimension, valve end and union nut **are compatible** with type 546 (1st Generation)

Option:

- Interface module for position feedback sensor with LED (PNP, NPN and NAMUR)
- Manual spring return lever "Dead man" (DN10-25)
- Pneumatic or electric actuators from GF
- Individual configuration of valves possible



d	DN	Size	PN	kv-value	EPDM	SP	Weight	FKM	SP	Weight
(mm)	(mm)	(inch)	(bar)	($\Delta p=1$ bar)	Code		(kg)	Code		(kg)
20	15	½	10	185	167 546 142	1	0.120	167 546 152	1	0.120
25	20	¾	10	350	167 546 143	1	0.184	167 546 153	1	0.180
32	25	1	10	700	167 546 144	1	0.262	167 546 154	1	0.255
40	32	1 ¼	10	1000	167 546 145	1	0.440	167 546 155	1	0.440
50	40	1 ½	10	1600	167 546 146	1	0.637	167 546 156	1	0.620
63	50	2	10	3100	167 546 147	1	1.176	167 546 157	1	1.200

d	B3	DE1	G	H	H1	H4	L	Lz	M	M1	M2	s1
(mm)	(mm)	(mm)	(mm)	(mm)	(mm)	(mm)	(mm)	(mm)	(mm)	(mm)	(mm)	(mm)
20	25	58	M6	60.5	27	12	130	28	82	35	47	1.9
25	25	68	M6	74.0	30	12	143	33	106	44	62	2.3
32	45	84	M6	80.0	36	12	150	36	106	44	62	3.0
40	45	97	M8	95.0	44	15	171	43	131	57	74	3.7
50	45	124	M8	101.5	51	15	191	45	131	57	74	4.6
63	70	166	M8	116.5	64	15	220	51	152	66	86	5.8

The technical data are not binding. They neither constitute expressly warranted characteristics nor guaranteed properties nor a guaranteed durability. They are subject to modification. Our General Terms of Sale apply.

Georg Fischer Piping Systems Ltd, Postfach, CH-8201 Schaffhausen/Switzerland Phone +41 -(0)52-631 1111 e-mail: info.ps@georgfischer.com Internet: <http://www.gfps.com>