

Diaphragm valve DIASTAR Ten PVC-U
FO (Fail safe to open)
Unions with solvent cement sockets metric

Model:

- Double flow rate compared to predecessor
- One housing nut replaces four screws
- Rotating air connection at 90° intervals
- For easy installation and removal
- Short overall length

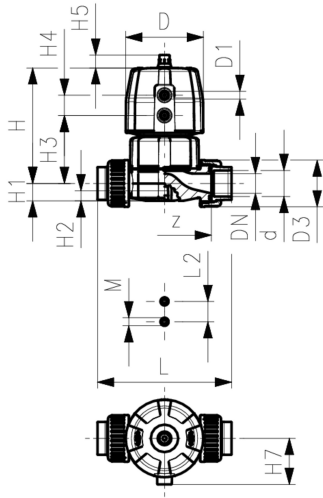
Option:

- Individual configuration of the valve
- Comprehensive range of accessories available
- PN16 available as a configuration

* PN: PTFE

Working Pressure: **one side**

* O-Ring material: FKM



| d (mm) | DN (mm) | Size (inch) | PN (bar) | PN* (bar) | kv-value (Δp=1 bar) (l/min) | EPDM Code | SP | Weight (kg) |
|-----------|------------|----------------|-------------|--------------|-----------------------------------|--------------|----|----------------|
| 16 | 10 | 3/8 | 10 | 10* | 125 | 161 644 011 | 1 | 0.542 |
| 20 | 15 | 1/2 | 10 | 10* | 125 | 161 644 012 | 1 | 0.542 |
| 25 | 20 | 3/4 | 10 | 10* | 271 | 161 644 013 | 1 | 1.308 |
| 32 | 25 | 1 | 10 | 10* | 481 | 161 644 014 | 1 | 1.198 |
| 40 | 32 | 1 1/4 | 10 | 10* | 759 | 161 644 015 | 1 | 1.935 |
| 50 | 40 | 1 1/2 | 10 | 10* | 1263 | 161 644 016 | 1 | 3.271 |
| 63 | 50 | 2 | 10 | 6* | 1728 | 161 644 017 | 1 | 4.765 |

| d (mm) | PTFE/ EPDM* Code | SP | Weight (kg) |
|-----------|------------------------|----|----------------|
| 16 | 161 644 031 | 1 | 0.552 |
| 20 | 161 644 032 | 1 | 0.506 |
| 25 | 161 644 033 | 1 | 0.958 |
| 32 | 161 644 034 | 1 | 1.154 |
| 40 | 161 644 035 | 1 | 1.876 |
| 50 | 161 644 036 | 1 | 3.316 |
| 63 | 161 644 037 | 1 | 3.979 |

| d (mm) | D (mm) | D1_G (inch) | H (mm) | H1 (mm) | H2 (mm) | H3 (mm) | H4 (mm) | H5 (mm) | H7 (mm) | L (mm) | L2 (mm) | M | z (mm) | Lift = Hx (mm) |
|-----------|-----------|----------------|-----------|------------|------------|------------|------------|------------|------------|-----------|------------|----|-----------|----------------------|
| 16 | 68 | 1/8 | 101 | 14 | 12 | 60 | 24 | 16 | 43 | 170 | 25 | M6 | 142 | 7 |
| 20 | 68 | 1/8 | 101 | 14 | 12 | 60 | 24 | 16 | 43 | 128 | 25 | M6 | 96 | 7 |
| 25 | 96 | 1/8 | 132 | 18 | 12 | 73 | 25 | 16 | 57 | 152 | 25 | M6 | 114 | 10 |
| 32 | 96 | 1/8 | 143 | 22 | 12 | 84 | 25 | 16 | 57 | 166 | 25 | M6 | 122 | 13 |
| 40 | 120 | 1/8 | 173 | 26 | 15 | 99 | 26 | 26 | 69 | 192 | 45 | M8 | 140 | 15 |
| 50 | 150 | 1/4 | 214 | 32 | 15 | 119 | 36 | 26 | 88 | 222 | 45 | M8 | 160 | 19 |
| 63 | 150 | 1/4 | 226 | 39 | 15 | 132 | 36 | 26 | 88 | 266 | 45 | M8 | 190 | 23 |

| d (mm) | closest inch (inch) |
|-----------|---------------------------|
| 16 | 3/8 |
| 20 | 1/2 |
| 25 | 3/4 |
| 32 | 1 |
| 40 | 1 1/4 |
| 50 | 1 1/2 |
| 63 | 2 |

Data sheet

valid from: 3/26/26



The technical data are not binding. They neither constitute expressly warranted characteristics nor guaranteed properties nor a guaranteed durability. They are subject to modification. Our General Terms of Sale apply.

Georg Fischer Piping Systems Ltd, Postfach, CH-8201 Schaffhausen/Switzerland Phone +41 -(0)52-631 1111 e-mail:
info.ps@georgfischer.com Internet: <http://www.gfps.com>