



**Lug-style end installation butterfly valve type 578 PVC-C**  
**With hand lever**  
**Flange standard ANSI/ASME**

**Model:**

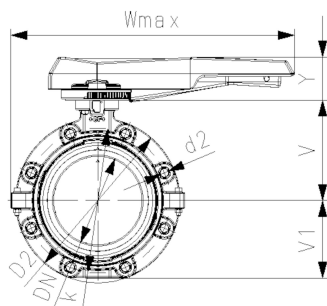
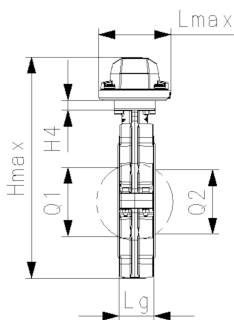
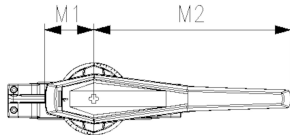
- Housing material: PP-GF30 with 316SS lug inserts
- Overall length according to EN 558, ISO 5752 (DN50 - 200 line 25, DN250 - 300 line 10)
- Connecting dimension ANSI/ASME B 16.5 Class 150
- We recommend for the dimensions DN250 and DN300 only 6 bar maximum system pressure for the hand lever version

**Option:**

- Optional accessory: Integrated position feedback with limit switches (sold separately)

**Note:**

For some material combination (e.g. DN300 valves with PE/PP pipes) special flange adapters are needed. Please check the "Perfect flange connection tool" on [www.gfps.com](http://www.gfps.com)



d	Size	DN	PN	kv-value	EPDM	SP	Weight	FKM	SP	Weight
(mm)	(inch)	(mm)	(bar)	( $\Delta p=1$ bar)	Code		(kg)	Code		(kg)
				(l/min)						
63	2	50	10	740	163 578 102	1	1.800	163 578 122	1	1.800
75	2 1/2	65	10	1500	163 578 103	1	1.895	163 578 123	1	1.895
90	3	80	10	2400	163 578 104	1	2.251	163 578 124	1	2.251
110	4	100	10	3800	163 578 105	1	3.146	163 578 125	1	3.146
140	5	125	10	8600	163 578 106	1	4.660	163 578 126	1	4.660
160	6	150	10	11400	163 578 107	1	6.430	163 578 127	1	6.430
225	8	200	10	19900	163 578 108	1	8.625	163 578 128	1	8.625
280	10	250	6	34000	163 578 109	1	19.528	163 578 129	1	19.528
315	12	300	6	50000	163 578 110	1	26.106	163 578 130	1	26.106

d	Hmax	Lmax	Wmax	U	V	H4	V1	Lg	D2	Q1	Q2	d2	M1
(mm)	(mm)	(mm)	(mm)	(mm)	(mm)	(mm)	(mm)	(mm)	(mm)	(mm)	(mm)	(mm)	(mm)
63	278.9	115.2	287.8	90	133.3	23	78.8	44.7	160	40		UNC 5/8	63.7
75	291.8	115.2	296.3	90	139.9	23	85.1	45.7	180	54	35	UNC 5/8	63.7
90	303.6	115.2	310.3	90	145.6	23	91.2	48.7	195	67	50	UNC 5/8	63.7
110	343.6	115.2	375.2	90	166.0	23	107.5	55.6	226	88	74	UNC 5/8	63.7
140	372.8	115.2	391.2	90	180.0	23	122.7	63.5	258	113	97	UNC 3/4	63.7
160	393.6	115.2	395.2	90	189.0	23	134.5	71.5	284	139	123	UNC 3/4	63.7
225	458.1	149.4	588.1	90	210.5	23	161.5	72.5	341	178	169	UNC 3/4	101.7
280	557.6	149.4	628.1	125	264.4	23	206.9	113.2	412	210	207	UNC 7/8	101.7
315	607.0	149.4	663.1	125	285.2	23	235.5	114.6	482	256	253	UNC 7/8	101.7

d	M2
(mm)	(mm)
63	205.6
75	205.6
90	205.6
110	255.2
140	255.2
160	255.2
225	408.1
280	408.1
315	408.1

The technical data are not binding. They neither constitute expressly warranted characteristics nor guaranteed properties nor a guaranteed durability. They are subject to modification. Our General Terms of Sale apply.

# Data sheet

valid from: 4/3/25



---

Georg Fischer Piping Systems Ltd, Postfach, CH-8201 Schaffhausen/Switzerland Phone +41 -(0)52-631 1111 e-mail:  
info.ps@georgfischer.com Internet: <http://www.gfps.com>