

**Diaphragm valve DIASTAR Ten PVC-U  
DA (Double acting)  
Unions with solvent cement sockets metric**

**Model:**

- Double flow rate compared to predecessor
- One housing nut replaces four screws
- Rotating air connection at 90° intervals
- For easy installation and removal
- Short overall length

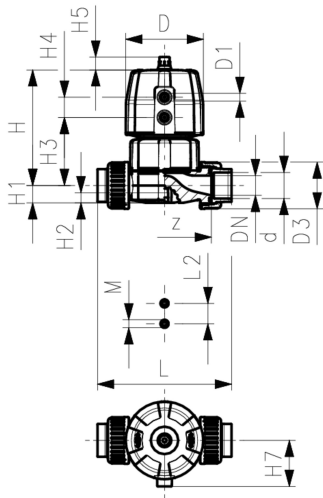
**Option:**

- Individual configuration of the valve
- Comprehensive range of accessories available
- PN16 available as a configuration

\* PN: PTFE

Working Pressure: **one side**

\* O-Ring material: FKM



d (mm)	DN (mm)	Size (inch)	PN (bar)	PN* (bar)	kv-value (Δp=1 bar) (l/min)	EPDM Code	SP	Weight (kg)
16	10	3/8	10	10*	125	161 654 011	1	0.526
20	15	1/2	10	10*	125	161 654 012	1	0.526
25	20	3/4	10	10*	271	161 654 013	1	0.923
32	25	1	10	10*	481	161 654 014	1	1.542
40	32	1 1/4	10	10*	759	161 654 015	1	2.521
50	40	1 1/2	10	10*	1263	161 654 016	1	3.250
63	50	2	10	10*	1728	161 654 017	1	4.732

d (mm)	PTFE/ EPDM* Code	SP	Weight (kg)
16	161 654 031	1	0.536
20	161 654 032	1	0.507
25	161 654 033	1	0.922
32	161 654 034	1	1.157
40	161 654 035	1	1.816
50	161 654 036	1	2.994
63	161 654 037	1	3.961

d (mm)	D (mm)	D1_G (inch)	H (mm)	H1 (mm)	H2 (mm)	H3 (mm)	H4 (mm)	H5 (mm)	H7 (mm)	L (mm)	L2 (mm)	M	z (mm)	Lift = Hx (mm)
16	68	1/8	101	14	12	60	24	16	43	170	25	M6	142	7
20	68	1/8	101	14	12	60	24	16	43	128	25	M6	96	7
25	96	1/8	132	18	12	73	25	16	57	152	25	M6	114	10
32	96	1/8	143	22	12	84	25	16	57	166	25	M6	122	13
40	120	1/8	173	26	15	99	26	26	69	192	45	M8	140	15
50	150	1/4	214	32	15	119	36	26	88	222	45	M8	160	19
63	150	1/4	226	39	15	132	36	26	88	266	45	M8	190	23

d (mm)	closest inch (inch)
16	3/8
20	1/2
25	3/4
32	1
40	1 1/4
50	1 1/2
63	2

# Data sheet

valid from: 4/6/26

---



The technical data are not binding. They neither constitute expressly warranted characteristics nor guaranteed properties nor a guaranteed durability. They are subject to modification. Our General Terms of Sale apply.

Georg Fischer Piping Systems Ltd, Postfach, CH-8201 Schaffhausen/Switzerland Phone +41 -(0)52-631 1111 e-mail:  
info.ps@georgfischer.com Internet: <http://www.gfps.com>