

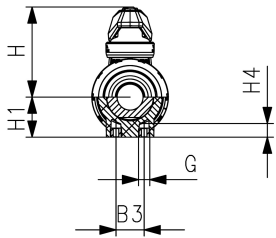
**PROGEF 标准型**  
**PP-H# 546Pro 球阀**  
**带红外焊/对焊端 SDR17.6 公制**

**型号:**

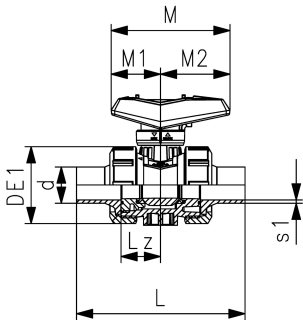
- 标配带可锁手柄
- PTFE球密封
- 内置不锈钢固定螺孔
- Z尺寸、阀端和活接螺母与546型球阀（第1代）兼容

**选项:**

- 可配Double Sensor阀门反馈器，带LED指示，信号类型PNP，NPN和Namur
- 可配弹簧复位手柄(DN10-25)
- 可配GF气动或电动执行器
- 可提供其他阀门配置



d (mm)	DN (mm)	Size (inch)	PN (bar)	kv-value ( $\Delta p=1$ bar) (l/min)	EPDM code	SP weight (kg)	FKM code	SP weight (kg)		
40	32	1 1/4	10	1000	<b>167 546 065</b>	1	0,450	1	0,450	
50	40	1 1/2	10	1600	<b>167 546 066</b>	1	0,635	<b>167 546 076</b>	1	0,635
63	50	2	10	3100	<b>167 546 067</b>	1	1,159	<b>167 546 077</b>	1	1,200
75	65	2 1/2	10	5000	<b>167 546 068</b>	1	2,575	<b>167 546 078</b>	1	3,387
90	80	3	10	7000	<b>167 546 069</b>	1	4,731	<b>167 546 079</b>	1	5,500
110	100	4	10	11000	<b>167 546 070</b>	1	8,600	<b>167 546 080</b>	1	8,600



d (mm)	B3 (mm)	DE1 (mm)	G (mm)	H (mm)	H1 (mm)	H4 (mm)	L (mm)	Lz (mm)	M (mm)	M1 (mm)	M2 (mm)	s1 (mm)
40	45	84	M8	95,0	44	15	171	43	131	57	74	
50	45	97	M8	101,5	51	15	191	45	131	57	74	2,9
63	45	124	M8	116,5	64	15	220	51	152	66	86	3,6
75	70	166	M8	169,0	85	15	266	68	270	64	205	4,6
90	70	200	M8	180,0	105	15	264	71	270	64	205	5,5
110	120	238	M12	194,0	123	22	301	82	326	71	255	6,7

The technical data are not binding. They neither constitute expressly warranted characteristics nor guaranteed properties nor a guaranteed durability. They are subject to modification. Our General Terms of Sale apply.

Georg Fischer Piping Systems Ltd, Postfach, CH-8201 Schaffhausen/Switzerland Phone +41 -(0)52-631 1111e-mail: info.ps@georgfischer.com Internet: http://www.gfps.com