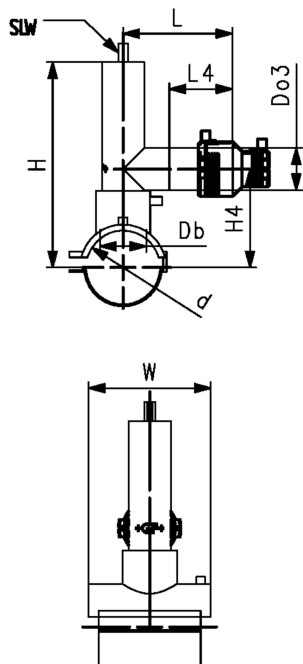




ELGEF Plus Pressure tapping valve (kit) PE100
d63-250mm / SDR11 / With 360° rotatable outlet

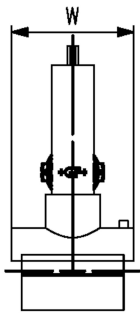
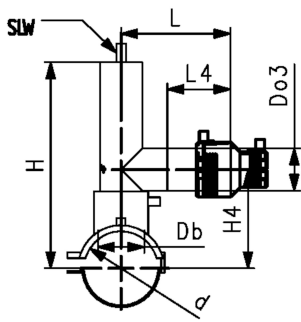
- 10 bar Gas / 16 bar Water
- With integrated drill bit to tap live mains under pressure
- Complete with lower part and premounted PE100 coated valve piece
- The valve is closed clockwise
- Number of turns to fully open or close valve is 13 for outlet d32
- Number of turns to fully open or close valve is 28 for outlet d40, d50, d63
- Spindle size (SLW) 14
- 4 mm pin connectors
- Limited path fusion indicators
- Long fusion outlet
- Supplied as Kit with enclosed service line fitting (ELGEF Plus Coupler or Reducer)



d	Do3	DN	PN	Code	Weight	L	L4	Db	W	H	H4	Suitable for
(mm)	(mm)	(mm)	(bar)		(kg)	(mm)	(mm)	(mm)	(mm)	(mm)	(mm)	
63	32	50	16	193 155 034	1.864	127	70	21	164	202	97	SDR Pipe 9-11
63	40	50	16	193 155 035	2.862	160	100	31	164	272	112	SDR Pipe 9-11
63	50	50	16	193 155 036	2.879	160	100	31	164	272	112	SDR Pipe 9-11
63	63	50	16	193 155 037	2.887	160	100	31	164	272	112	SDR Pipe 9-11
75	32	65	16	193 155 044	3.243	127	70	21	164	208	103	SDR Pipe 9-11
75	40	65	16	193 155 045	3.249	160	100	31	164	278	118	SDR Pipe 9-11
75	50	65	16	193 155 046	3.261	160	100	31	164	278	118	SDR Pipe 9-11
75	63	65	16	193 155 047	3.259	160	100	31	164	278	118	SDR Pipe 9-11
90	32	80	16	193 155 054	1.962	127	70	21	164	216	111	SDR Pipe 9-11
90	40	80	16	193 155 055	2.957	160	100	31	164	286	126	SDR Pipe 9-11
90	50	80	16	193 155 056	2.970	160	100	31	164	286	126	SDR Pipe 9-11
90	63	80	16	193 155 057	2.924	160	100	31	164	286	126	SDR Pipe 9-11
110	32	100	16	193 155 064	2.030	127	70	21	164	226	121	SDR Pipe 9-17.6
110	40	100	16	193 155 065	2.984	160	100	31	164	296	136	SDR Pipe 9-17.6
110	50	100	16	193 155 066	2.696	160	100	31	164	296	136	SDR Pipe 9-17.6
110	63	100	16	193 155 067	3.010	160	100	31	164	296	136	SDR Pipe 9-17.6
125	32	100	16	193 155 074	2.039	127	70	21	164	233	128	SDR Pipe 9-17.6
125	40	100	16	193 155 075	3.007	160	100	31	164	303	143	SDR Pipe 9-17.6
125	50	100	16	193 155 076	3.023	160	100	31	164	303	143	SDR Pipe 9-17.6
125	63	100	16	193 155 077	3.058	160	100	31	164	303	143	SDR Pipe 9-17.6
140	32	125	16	193 155 084	3.301	127	70	21	164	241	136	SDR Pipe 9-17.6
140	40	125	16	193 155 085	3.040	160	100	31	164	311	151	SDR Pipe 9-17.6
140	50	125	16	193 155 086	3.315	160	100	31	164	311	151	SDR Pipe 9-17.6
140	63	125	16	193 155 087	3.313	160	100	31	164	311	151	SDR Pipe 9-17.6
160	32	150	16	193 155 094	2.057	127	70	21	164	251	146	SDR Pipe 9-17.6
160	40	150	16	193 155 095	2.980	160	100	31	164	321	161	SDR Pipe 9-17.6
160	50	150	16	193 155 096	3.022	160	100	31	164	321	161	SDR Pipe 9-17.6
160	63	150	16	193 155 097	3.025	160	100	31	164	321	161	SDR Pipe 9-17.6
180	32	150	16	193 155 104	3.410	127	70	21	164	261	156	SDR Pipe 9-26
180	40	150	16	193 155 105	3.126	160	100	31	164	331	171	SDR Pipe 9-26
180	50	150	16	193 155 106	3.181	160	100	31	164	331	171	SDR Pipe 9-26
180	63	150	16	193 155 107	3.164	160	100	31	164	331	171	SDR Pipe 9-26
200	32	200	16	193 155 114	3.431	127	70	21	164	271	166	SDR Pipe 9-26
200	40	200	16	193 155 115	3.435	160	100	31	164	341	181	SDR Pipe 9-26
200	50	200	16	193 155 116	3.453	160	100	31	164	341	181	SDR Pipe 9-26
200	63	200	16	193 155 117	3.215	160	100	31	164	341	181	SDR Pipe 11-26
225	32	200	16	193 155 124	2.195	127	70	21	164	281	178	SDR Pipe 11-26

Data sheet

valid from: 6/20/25



d (mm)	Do3 (mm)	DN (mm)	PN (bar)	Code	Weight (kg)	L (mm)	L4 (mm)	Db (mm)	W (mm)	H (mm)	H4 (mm)	Suitable for
225	40	200	16	193 155 125	3.178	160	100	31	164	353	193	SDR Pipe 11-26
225	50	200	16	193 155 126	3.120	160	100	31	164	353	193	SDR Pipe 11-26
225	63	200	16	193 155 127	3.196	160	100	31	164	353	193	SDR Pipe 11-26
250	40	250	16	193 155 135	3.449	160	70	31	164	366	206	SDR Pipe 11-26
250	50	250	16	193 155 136	3.124	160	100	31	164	366	206	SDR Pipe 11-26
250	63	250	16	193 155 137	3.221	160	100	31	164	366	206	SDR Pipe 11-26

The technical data are not binding. They neither constitute expressly warranted characteristics nor guaranteed properties nor a guaranteed durability. They are subject to modification. Our General Terms of Sale apply.

Georg Fischer Piping Systems Ltd, Postfach, CH-8201 Schaffhausen/Switzerland Phone +41 -(0)52-631 1111 e-mail: info.ps@georgfischer.com Internet: <http://www.gfps.com>