



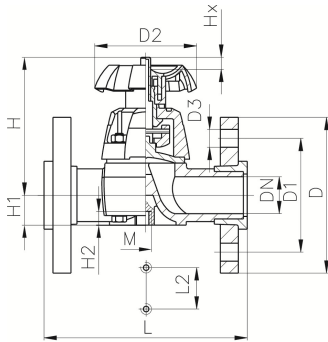
PVC-C无硅 手动隔膜阀 317型 带法兰端 公制ISO

型号:

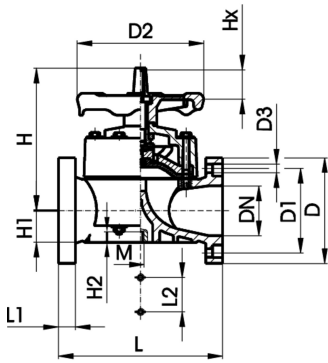
- 无硅/油漆兼容
- 平接合面
- DN65 带活套法兰
- DN80-150 带固定法兰
- 总长度符合EN558标准

选项:

- DN15-DN65可锁手轮 (标准版本不可锁)
- * DN80 and DN150 固定法兰兼容公制和美标 (ANSI B16.5)



DN 65



DN 80-100

	d (mm)	DN (mm)	Size (inch)	PN (bar)	kv-value ($\Delta p=1$ bar) (l/min)	EPDM code	weight (kg)	PTFE/ EPDM code	weight (kg)
	75	65	2 1/2	10	992	163 317 723	4,425	163 317 738	4,425
*	90	80	3	10	1700	163 317 724	9,750	163 317 739	9,750
	110	100	4	10	2700	163 317 725	13,600	163 317 740	13,600

	d (mm)	D (mm)	D1 (mm)	D2 (mm)	D3 (mm)	H (mm)	H1 (mm)	H2 (mm)	L (mm)	L1 (mm)	L2 (mm)	M	AL
	75	185	145	152	18	201	46	15	290		70	M8-	4
*	90	200	160	270	18	265	57	23	310	35	120	M12	8
	110	225	180	270	18	304	69	23	350	35	120	M12	8

The technical data are not binding. They neither constitute expressly warranted characteristics nor guaranteed properties nor a guaranteed durability. They are subject to modification. Our General Terms of Sale apply.

Georg Fischer Piping Systems Ltd, Postfach, CH-8201 Schaffhausen/Switzerland Phone +41 -(0)52-631 1111e-mail:
info.ps@georgfischer.com Internet: <http://www.gfps.com>