

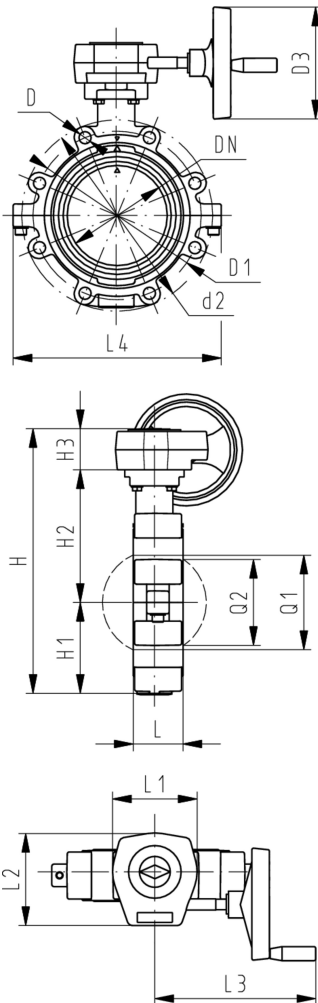


## Type 568 Butterfly Valve SYGEF® Standard PVDF Reduction gear with handwheel

### Model:

- Material: PVDF
- Outer body in GGG-40.3 epoxy-coated
- Overall length according to EN 558, ISO 5752
- Connecting dimension: ANSI/ASME B 16.5 class 150, ASTM D 4024, BS 1560, BS EN 1759

Model with PTFE seal in DN50 - DN80 on request



d (mm)	Size (inch)	FKM Part No.	PTFE/FKM Part No.	weight (lb)
63	2	175 568 122	175 568 322	11.482
75	2 ½	175 568 123	175 568 323	12.282
90	3	175 568 124	175 568 324	13.226
110	4	175 568 125	175 568 325	17.990
140	5	175 568 126	175 568 326	22.357
160	6	175 568 127	175 568 327	27.249
225	8	175 568 128	175 568 328	39.626

d2 (mm)	D	D1 (mm)	D3 (mm)	H (mm)	H1 (mm)	H2 (mm)	H3 (mm)	L (mm)	L1 (mm)	L2 (mm)	L3 (mm)	L4 (mm)	Q1 (mm)	Q2 (mm)
150	UNC 5/8	121	150	279	77	134	50	45	110	120	155	150	40	
170	UNC 5/8	138	150	291	83	140	50	46	110	120	155	160	54	35
177	UNC 5/8	152	150	303	89	146	50	49	110	120	155	175	67	50
216	UNC 5/8	191	150	339	104	167	50	56	110	120	155	244	88	74
246	UNC 3/4	216	150	366	117	181	50	64	110	120	155	272	113	97
273	UNC 3/4	241	150	387	130	189	50	72	110	120	155	297	139	123
334	UNC 3/4	298	150	436	158	210	50	73	110	120	155	360	178	169

The technical data are not binding. They neither constitute expressly warranted characteristics nor guaranteed properties nor a guaranteed durability. They are subject to modification. Our General Terms of Sale apply.

Georg Fischer Piping Systems Ltd, Postfach, CH-8201 Schaffhausen/Switzerland

Phone +41 -(0)52-631 1111

e-mail: [info.ps@georgfischer.com](mailto:info.ps@georgfischer.com)

Internet: <http://www.gfps.com>