



**Lug-style, end installation butterfly valve type 244 PVC-C**  
**With pneumatic actuator - fail safe to close (FC)**  
**Without manual override**  
**Flange standard ANSI/ASME**

**Model:**

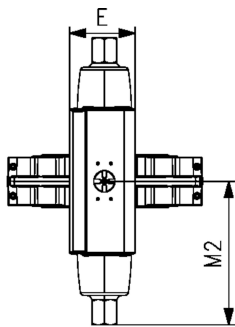
- Housing material: PP-GF30 with SS316 lug-inserts
- Control range 90° <
- Overall length according to EN 588, ISO 5752 (DN50 - 200 line 25, DN250 - 300 line 10)
- Connecting dimension: ANSI/ASME B 16.5 class 150

**Option:**

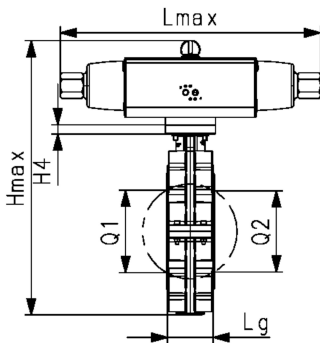
- Optional accessory: Valve-Integrated position feedback with limit switches (limit switches have to be ordered separately)

**Note:**

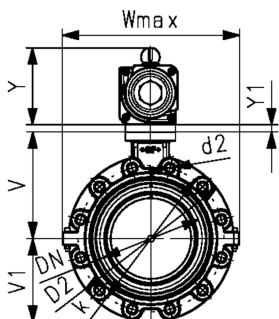
For some material combination (e.g. DN300 valves with PE/PP pipes) special flange adapters are needed. Please check the "Perfect flange connection tool" on [www.gfps.com](http://www.gfps.com)



d	Size	DN	PN	kv-value	EPDM	SP	Weight	FKM	SP	Weight
(mm)	(inch)	(mm)	(bar)	( $\Delta p=1$ bar)	Code		(kg)	Code		(kg)
63	2	50	10	740	199 244 162	1	3.499	199 244 182	1	3.499
75	2 ½	65	10	1500	199 244 163	1	3.656	199 244 183	1	3.656
90	3	80	10	2400	199 244 164	1	4.692	199 244 184	1	4.692
110	4	100	10	3800	199 244 165	1	6.406	199 244 185	1	6.406
140	5	125	10	8600	199 244 166	1	9.222	199 244 186	1	9.222
160	6	150	10	11400	199 244 167	1	12.902	199 244 187	1	12.902
225	8	200	10	19900	199 244 168	1	16.691	199 244 188	1	16.691
280	10	250	10	34000	199 244 169	1	33.880	199 244 189	1	33.880
315	12	300	5	50000	199 244 170	1	43.985	199 244 190	1	43.985



d	Size	Hmax	Lmax	Wmax	U	V	H4	V1	Lg	D2	Q1	Q2	d2
(mm)	(inch)	(mm)	(mm)	(mm)	(mm)	(mm)	(mm)	(mm)	(mm)	(mm)	(mm)	(mm)	(mm)
63	2	328.1	274.4	165	90	133.3	23	78.8	44.7	160	40		UNC 5/8
75	2 ½	341.0	274.4	182	90	139.9	23	85.1	45.7	180	54	35	UNC 5/8
90	3	365.7	325.2	210	90	145.6	23	91.2	48.7	195	67	50	UNC 5/8
110	4	388.3	359.6	240	90	166.0	23	107.5	55.6	226	88	74	UNC 5/8
140	5	452.2	418.0	272	90	180.0	23	122.7	63.5	258	113	97	UNC 3/4
160	6	476.6	434.0	280	90	189.0	23	134.5	71.5	284	139	123	UNC 3/4
225	8	532.0	498.4	360	90	210.5	23	161.5	72.5	341	178	169	UNC 3/4
280	10	679.5	646.0	440	125	264.4	23	206.9	113.2	412	210	207	UNC 7/8
315	12	749.0	681.0	510	125	285.2	23	235.5	114.6	482	256	253	UNC 7/8



d	Size	k	Y	E	Y1	M2
(mm)	(inch)	(mm)	(mm)	(mm)	(mm)	(mm)
63	2	120.7	98.2	70.4	15.0	137.2
75	2 ½	139.7	98.2	70.4	15.0	137.2
90	3	152.4	111.1	83.3	15.0	162.6
110	4	190.5	114.8	87.0		179.8
140	5	215.9	149.5	107.5		209.0
160	6	241.3	153.1	111.1		217.0
225	8	298.5	160.0	118.0		249.2
280	10	362.0	190.0	148.0	18.2	323.0
315	12	431.8	210.1	168.0	18.2	340.5

The technical data are not binding. They neither constitute expressly warranted characteristics nor guaranteed properties nor a guaranteed durability. They are subject to modification. Our General Terms of Sale apply.

# Data sheet

valid from: 2/8/25



---

Georg Fischer Piping Systems Ltd, Postfach, CH-8201 Schaffhausen/Switzerland Phone +41 -(0)52-631 1111 e-mail:  
info.ps@georgfischer.com Internet: <http://www.gfps.com>