

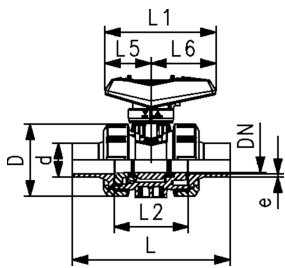
**PROGEF Standard Ball Valve type 546 Pro PP-H**  
**With butt fusion spigots IR-Plus SDR11 ISO**

**Model:**

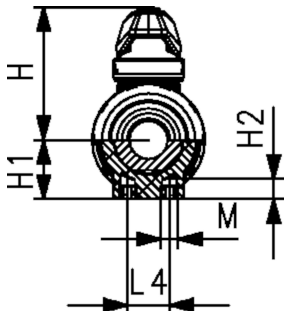
- Material: PP-H
- Lockable lever standard (DN10-DN50)
- For easy installation and removal
- Ball seats PTFE
- Integrated stainless steel mounting inserts
- Z-dimension, valve end and union nut **are compatible** with type 546 (1<sup>st</sup> Generation)

**Option:**

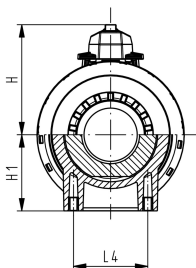
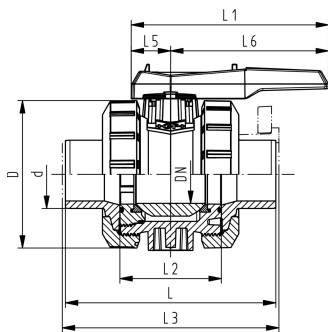
- Interface-module with position feedback sensor, incl. LED feedback (DN10-50)
- Manual spring return lever ("Dead man") (DN10-25)
- Pneumatic or electric actuators from GF
- Individual configuration of the valve possible



d (mm)	DN (mm)	PN (bar)	Cv-value (l/min)	EPDM Code	SP weight (kg)	FKM Code	SP weight (kg)
20	15	10	185	<b>167 546 442</b>	1	0.121	<b>167 546 452</b>
25	20	10	350	<b>167 546 443</b>	1	0.183	<b>167 546 453</b>
32	25	10	700	<b>167 546 444</b>	1	0.260	<b>167 546 454</b>
40	32	10	1000	<b>167 546 445</b>	1	0.454	<b>167 546 455</b>
50	40	10	1600	<b>167 546 446</b>	1	0.633	<b>167 546 456</b>
63	50	10	3100	<b>167 546 447</b>	1	1.151	<b>167 546 457</b>
75	65	10	5000	<b>167 546 448</b>	1	2.822	<b>167 546 458</b>
90	80	10	7000	<b>167 546 449</b>	1	4.717	<b>167 546 459</b>
110	100	10	11000	<b>167 546 450</b>	1	6.171	<b>167 546 460</b>



d (mm)	D (mm)	H (mm)	H1 (mm)	H2 (mm)	L (mm)	L1 (mm)	L2 (mm)	L4 (mm)	L5 (mm)	L6 (mm)	M	e (mm)
20	50	61	27	12	130	82	56	25	35	47	M6	1.9
25	58	74	30	12	143	105	65	25	44	62	M6	2.3
32	68	80	36	12	150	105	71	25	44	62	M8	2.9
40	84	95	44	15	171	131	85	45	57	74	M8	3.7
50	97	102	51	15	190	131	89	45	57	74	M8	4.6
63	124	117	64	15	220	152	101	45	66	86	M8	5.8
75	166	150	85	15	266	269	136	70	64	206	M8	6.8
90	200	161	105	15	264	269	141	70	64	206	M8	8.2
110	238	178	123	22	301	319	164	120	64	256	M12	10.0



# Data sheet

valid from: 1/29/25

---



The technical data are not binding. They neither constitute expressly warranted characteristics nor guaranteed properties nor a guaranteed durability. They are subject to modification. Our General Terms of Sale apply.

Georg Fischer Piping Systems Ltd, Postfach, CH-8201 Schaffhausen/Switzerland Phone +41 -(0)52-631 1111 e-mail:  
info.ps@georgfischer.com Internet: <http://www.gfps.com>