

PROGEF Standard Diaphragm valve DIASTAR Ten FC (Fail safe to close)
Unions with fusion sockets metric

Model:

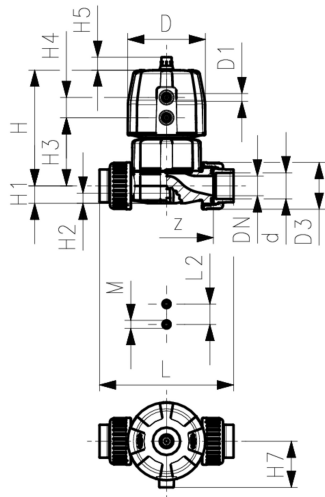
- Material: PP-H
- Double flow rate compared to predecessor
- One housing nut replaces four screws
- Rotating air connection at 90° intervals
- For easy installation and removal
- Short overall length

Option:

- Individual configuration of the valve
- Comprehensive range of accessories available

Working Pressure: **one side**

*Material O-ring (for PTFE diaphragms): FKM



d (mm)	DN (mm)	Size (inch)	PN (bar)	kv-value (Δp=1 bar) (L/min)	EPDM Code	Weight (kg)	FKM Code	Weight (kg)
20	15	½	10	125	167 624 012	0.524	167 624 062	0.555
25	20	¾	10	271	167 624 013	1.061	167 624 063	1.082
32	25	1	10	481	167 624 014	1.272	167 624 064	1.267
40	32	1 ¼	10	759	167 624 015	2.123	167 624 065	2.066
50	40	1 ½	10	1263	167 624 016	3.593	167 624 066	3.593
63	50	2	10	1728	167 624 017	4.195	167 624 067	4.328

d (mm)	PTFE/EPDM Code	Weight (kg)	PTFE/FKM Code	Weight (kg)
20	167 624 032	0.526	167 624 052	0.526
25	167 624 033	1.071	167 624 053	1.071
32	167 624 034	1.286	167 624 054	1.286
40	167 624 035	2.152	167 624 055	2.152
50	167 624 036	3.623	167 624 056	3.623
63	167 624 037	5.032	167 624 057	5.032

d (mm)	D (mm)	D1_G (inch)	H (mm)	H1 (mm)	H2 (mm)	H3 (mm)	H4 (mm)	H5 (mm)	H7 (mm)	L (mm)	L2 (mm)	M	z (mm)	Lift = Hx (mm)
20	68	¾	101	14	12	60	24	16	43	128	25	M6	96	7
25	96	¾	132	18	12	73	25	16	57	150	25	M6	114	10
32	96	¾	143	22	12	84	25	16	57	162	25	M6	122	13
40	120	¾	173	26	15	99	26	26	69	184	45	M8	140	15
50	150	¾	214	32	15	119	36	26	88	210	45	M8	160	19
63	150	¾	226	39	15	132	36	26	88	248	45	M8	190	23

d (mm)	closest inch (inch)
20	¾
25	¾
32	1
40	1 ¼
50	1 ½
63	2

The technical data are not binding. They neither constitute expressly warranted characteristics nor guaranteed properties nor a guaranteed durability. They are subject to modification. Our General Terms of Sale apply.

Data sheet

valid from: 3/12/25



Georg Fischer Piping Systems Ltd, Postfach, CH-8201 Schaffhausen/Switzerland Phone +41 -(0)52-631 1111 e-mail:
info.ps@georgfischer.com Internet: <http://www.gfps.com>