



**Lug-style end installation butterfly valve type 578 PVC-C**  
**Bare shaft**  
**Flange standard metric**

**Model:**

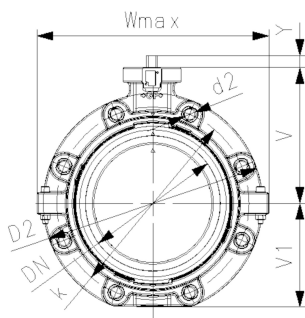
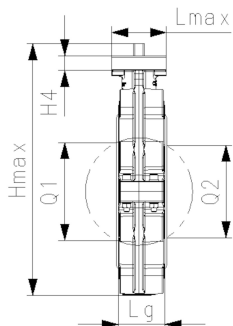
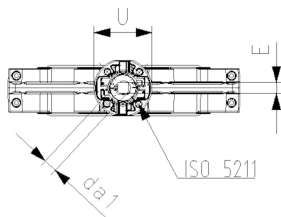
- Housing material: PP-GF30 with SS316 lug-inserts
- Overall length according to EN 558, ISO 5752 (DN50 - 200 line 25, DN250 - 300 line 10)
- Connecting dimension: ISO 7005 PN10, EN 1092 PN10, DIN 2501 PN10
- Interface F07 according to DIN/ISO 5211
- Interface F10 for the dimensions DN250-300 according to DIN/ISO 5211

**Option:**

- Optional accessory: Valve-Integrated position feedback with limit switches (limit switches have to be ordered separately)

**Note:**

For some material combination (e.g. DN300 valves with PE/PP pipes) special flange adapters are needed. Please check the "Perfect flange connection tool" on [www.gfps.com](http://www.gfps.com)



d	Size	DN	PN	kv-value	EPDM	SP	Weight	FKM	SP	Weight
(mm)	(inch)	(mm)	(bar)	( $\Delta p=1$ bar)	Code		(kg)	Code		(kg)
				(l/min)						
63	2	50	10	740	163 578 802	1	1.299	163 578 822	1	1.299
75	2 ½	65	10	1500	163 578 803	1	1.456	163 578 823	1	1.456
90	3	80	10	2400	163 578 804	1	1.701	163 578 824	1	1.701
110	4	100	10	3800	163 578 805	1	2.606	163 578 825	1	2.606
140	5	125	10	8600	163 578 806	1	4.120	163 578 826	1	4.120
160	6	150	10	11400	163 578 807	1	5.881	163 578 827	1	5.881
225	8	200	10	19900	163 578 808	1	7.125	163 578 828	1	7.125
280	10	250	10	34000	163 578 809	1	17.880	163 578 829	1	17.880
315	12	300	10	50000	163 578 810	1	24.416	163 578 830	1	24.416

d	Hmax	Lmax	Wmax	U	V	H4	V1	Lg	D2	Q1	Q2	d2	k	da1
(mm)	(mm)	(mm)	(mm)	(mm)	(mm)	(mm)	(mm)	(mm)	(mm)	(mm)	(mm)	(mm)	(mm)	(mm)
63	238.3	84.8	159.5	90	133.3	23	78.8	160	160	40		M16	125	13.5
75	251.2	84.8	166.1	90	139.9	23	85.1	180	180	54	35	M16	145	13.5
90	263.0	84.8	171.8	90	145.6	23	91.2	195	195	67	50	M16	160	13.5
110	288.9	84.8	181.4	90	166.0	23	107.5	226	226	88	74	M16	180	17.3
140	318.1	84.8	195.4	90	180.0	23	122.7	258	258	113	97	M16	210	17.3
160	341.9	84.8	207.4	90	189.0	23	134.5	284	284	139	123	M20	240	21.1
225	390.4	84.8	228.9	90	210.5	23	161.5	341	341	178	169	M20	295	21.1
280	511.5	125.0	304.6	125	264.4	23	206.9	412	412	210	207	M20	350	27.0
315	560.9	125.0	325.4	125	285.2	23	235.5	482	482	256	253	M20	400	27.0

The technical data are not binding. They neither constitute expressly warranted characteristics nor guaranteed properties nor a guaranteed durability. They are subject to modification. Our General Terms of Sale apply.

Georg Fischer Piping Systems Ltd, Postfach, CH-8201 Schaffhausen/Switzerland Phone +41 -(0)52-631 1111 e-mail: [info.ps@georgfischer.com](mailto:info.ps@georgfischer.com) Internet: <http://www.gfps.com>