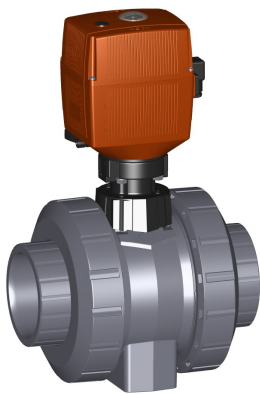


DN10/15 - 50



**Ball valve type 130 ABS 100-230V**  
**With manual emergency override**  
**With solvent cement sockets metric**

**Model:**

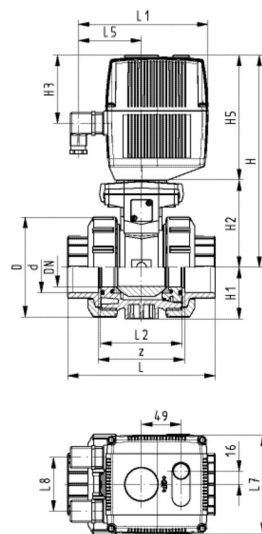
- Voltage 100-230 V, 50-60 Hz
- Control range 90 °
- Control time: EA21: 5s/90°<, EA31: 15s/90°<
- EA21 for sizes 3/8" to 2", EA31 for sizes 2½" to 4"
- For easy installation and removal
- Integrated stainless steel mounting inserts

**Option:**

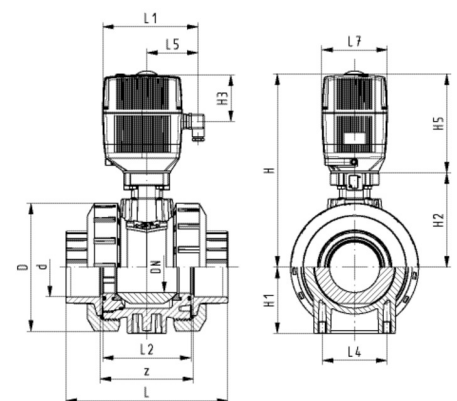
- Individual configuration of the valve (see diagram)

| d    | DN   | PN    | Cv-value | EPDM               | SP | weight |
|------|------|-------|----------|--------------------|----|--------|
| (mm) | (mm) | (bar) | (l/min)  | Part No.           |    | (kg)   |
| 16   | 10   | 10    | 70       | <b>199 130 702</b> | 1  | 2.100  |
| 20   | 15   | 10    | 185      | <b>199 130 703</b> | 1  | 2.100  |
| 25   | 20   | 10    | 350      | <b>199 130 704</b> | 1  | 2.200  |
| 32   | 25   | 10    | 700      | <b>199 130 705</b> | 1  | 2.300  |
| 40   | 32   | 10    | 1000     | <b>199 130 706</b> | 1  | 2.600  |
| 50   | 40   | 10    | 1600     | <b>199 130 707</b> | 1  | 3.000  |
| 63   | 50   | 10    | 3100     | <b>199 130 708</b> | 1  | 3.555  |
| 75   | 65   | 10    | 5000     | <b>199 130 709</b> | 1  | 6.300  |
| 90   | 80   | 10    | 7000     | <b>199 130 710</b> | 1  | 8.200  |
| 110  | 100  | 10    | 11000    | <b>199 130 711</b> | 1  | 11.500 |

| d    | D    | H    | H1   | H2   | H3   | H5   | L    | L1   | L2   | L4   | L5   | L7   | z    | closest inch |
|------|------|------|------|------|------|------|------|------|------|------|------|------|------|--------------|
| (mm) | (mm) | (mm) | (mm) | (mm) | (mm) | (mm) | (mm) | (mm) | (mm) | (mm) | (mm) | (mm) | (mm) | (inch)       |
| 16   | 50   | 231  | 27   | 64   | 94   | 167  | 92   | 180  | 56   | 25   | 97   | 122  | 64   | ¾            |
| 20   | 50   | 231  | 27   | 64   | 94   | 167  | 95   | 180  | 56   | 25   | 97   | 122  | 64   | ½            |
| 25   | 58   | 240  | 30   | 73   | 94   | 167  | 110  | 180  | 65   | 25   | 97   | 122  | 72   | ¾            |
| 32   | 68   | 240  | 36   | 73   | 94   | 167  | 123  | 180  | 71   | 25   | 97   | 122  | 79   | 1            |
| 40   | 84   | 251  | 44   | 84   | 94   | 167  | 146  | 180  | 85   | 45   | 97   | 122  | 94   | 1 ¼          |
| 50   | 97   | 251  | 51   | 84   | 94   | 167  | 157  | 180  | 89   | 45   | 97   | 122  | 95   | 1 ½          |
| 63   | 124  | 273  | 64   | 106  | 94   | 167  | 183  | 180  | 101  | 45   | 97   | 122  | 107  | 2            |
| 75   | 166  | 346  | 85   | 156  | 94   | 190  | 233  | 180  | 136  | 70   | 98   | 122  | 144  | 2 ½          |
| 90   | 200  | 358  | 105  | 168  | 94   | 190  | 254  | 180  | 141  | 70   | 98   | 122  | 151  | 3            |
| 110  | 238  | 365  | 123  | 175  | 94   | 190  | 301  | 180  | 164  | 120  | 98   | 122  | 174  | 4            |



DN10/15-50



DN65-100

# Data sheet

valid from: 1/8/18

---



The technical data are not binding. They neither constitute expressly warranted characteristics nor guaranteed properties nor a guaranteed durability. They are subject to modification. Our General Terms of Sale apply.

Georg Fischer Piping Systems Ltd, Postfach, CH-8201 Schaffhausen/Switzerland

Phone +41 -(0)52-631 1111

e-mail: [info.ps@georgfischer.com](mailto:info.ps@georgfischer.com)

Internet: <http://www.gfps.com>