

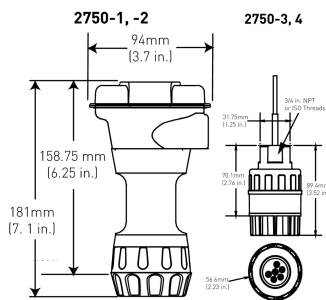


## Type 2750 pH/ORP Sensor Electronics

### pH/ORP:

- Connection: Durable DryLoc® with fold plated connections
- Compatible Sensors: 2724 - 2726, 2734 - 2736, 2756 - 2757 Wet-Tap, 2764 - 2767, 2774 - 2777
- Compatible Instruments: Signet 8900 or 9900
- Additional Features: Options for S3L and 4 - 20 mA outputs
- Mounting styles: In-line integral mount and submersion

MFR #	Mounting	Connection	Code
3-2750-2	In-line with Easycal	DryLoc	<b>159 000 745</b>
3-2750-1	In-line	DryLoc	<b>159 000 744</b>
3-2750-3	NPT, submersible	DryLoc	<b>159 000 746</b>
3-2750-4	ISO, submersible	DryLoc	<b>159 000 842</b>



The technical data are not binding. They neither constitute expressly warranted characteristics nor guaranteed properties nor a guaranteed durability. They are subject to modification. Our General Terms of Sale apply.

Georg Fischer Piping Systems Ltd, Postfach, CH-8201 Schaffhausen/Switzerland Phone +41 -(0)52-631 1111 e-mail: info.ps@georgfischer.com Internet: <http://www.gfps.com>