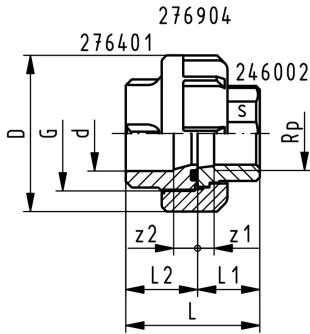




PROGEF Standard adaptor union PP-H/malleable iron galvanised Metric Rp

Model:

- Union End: malleable iron with parallel female thread Rp
- Union Bush: fusion socket PP-H metric
- Union Nut: PP-H
- Gasket: O-Ring EPDM No. 48 41 00



d (mm)	Thread Type	Size (inch)	PN (bar)	Code	Weight (kg)
20	Rp	½	10	727 530 306	0.073
25	Rp	¾	10	727 530 307	0.118
32	Rp	1	10	727 530 308	0.199
40	Rp	1 ¼	10	727 530 309	0.276
50	Rp	1 ½	10	727 530 310	0.317
63	Rp	2	10	727 530 311	0.579

d (mm)	L (mm)	L1 (mm)	L2 (mm)	D (mm)	G (inch)	s (mm)	z1 (mm)	z2 (mm)
20	48	22	26	43	1	25	9	10
25	50	22	28	51	1 1/4	31	7	10
32	56	26	30	58	1 1/2	38	9	10
40	65	31	34	72	2	48	12	12
50	72	33	39	83	2 1/4	54	14	14
63	82	35	47	100	2 3/4	67	11	18

The technical data are not binding. They neither constitute expressly warranted characteristics nor guaranteed properties nor a guaranteed durability. They are subject to modification. Our General Terms of Sale apply.

Georg Fischer Piping Systems Ltd, Postfach, CH-8201 Schaffhausen/Switzerland Phone +41 -(0)52-631 1111 e-mail:
info.ps@georgfischer.com Internet: <http://www.gfps.com>