



SYGEF Standard Diaphragm valve type DIASTAR 025
Function FO (Fail safe to open)
With fixed flanges PVDF Inch ANSI

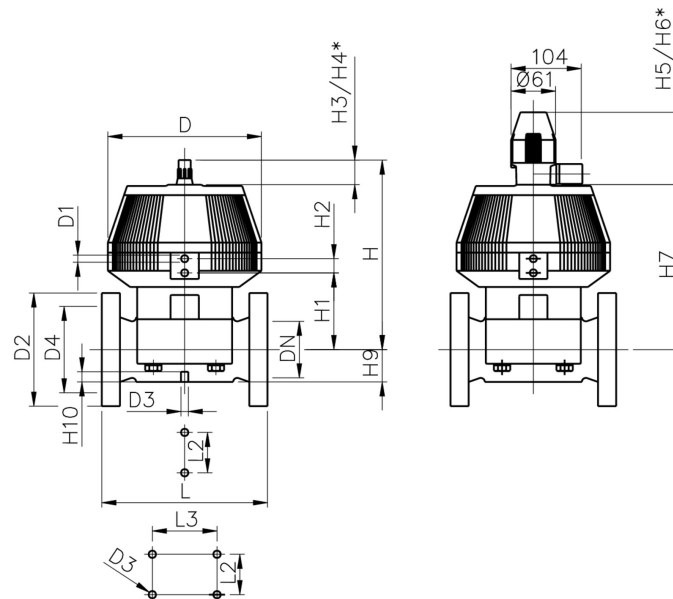
Model:

- Material: PVDF
- Overall length according to EN 558
- Connecting dimension: ANSI/ASME B 16.5 class 150, ASTM D 4024, BS 1560, BS EN 1759
- With position indicator / Working pressure: on one side
- * With backing flanges PP-V
- ** Connecting dimensions DN80 and DN150 metric and Inch ANSI B16.5

	d	Size	DN	PN	kv-value	PTFE/EPDM	Weight
	(mm)	(inch)	(mm)	(bar)	($\Delta p=1$ bar)	Code	(kg)
*	75	2 ½	65	10	992	199 025 337	12.200
	110	4	100	8	2700	199 025 339	23.400

	D	D1_G	D2	D3[M]	D4	H	H1	H2	H3	H4	H5	H6	H7	H9	H10
	(mm)	(inch)	(mm)	(mm)	(mm)	(mm)	(mm)	(mm)	(mm)	(mm)	(mm)	(mm)	(mm)	(mm)	(mm)
*	280	¼	185	8	145	344	148	24	46	100	129	195	298	46	15
	335	¼	225	12	180	395	176	24	46	100	129	195	349	69	20

	L	L2	L3
	(mm)	(mm)	(mm)
*	290	70	
	350	120	



The technical data are not binding. They neither constitute expressly warranted characteristics nor guaranteed properties nor a guaranteed durability. They are subject to modification. Our General Terms of Sale apply.

Georg Fischer Piping Systems Ltd, Postfach, CH-8201 Schaffhausen/Switzerland Phone +41 -(0)52-631 1111 e-mail: info.ps@georgfischer.com Internet: <http://www.gfps.com>