

**SYGEF Plus Diaphragm valve DIASTAR Ten FC (Fail safe to close)**  
**With butt fusion spigots metric**

**Model:**

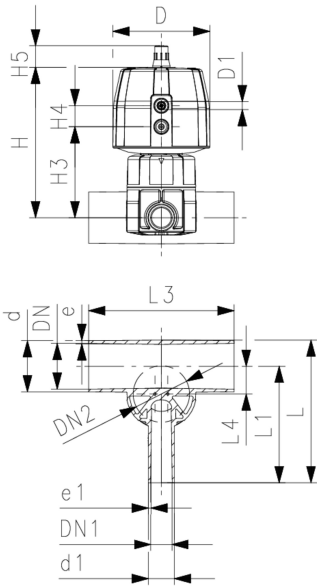
- Material: PVDF-HP
- Double flow rate compared to predecessor
- One housing nut replaces four screws
- Rotating air connection at 90° intervals
- Smallest possible dead space

**Option:**

- Individual configuration of the valve
- Comprehensive range of accessories available

Working Pressure: **both sides**

\* Available on request

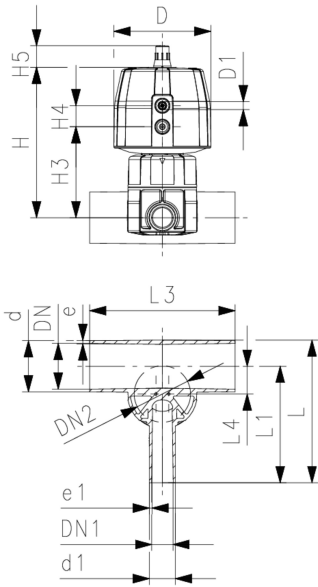


d (mm)	d1 (mm)	DN (mm)	DN1 (mm)	Size (inch)	PN (bar)	kv-value ( $\Delta p=1$ bar) (l/min)	Valve Size d (mm)	PTFE/EPDM Code
20	20	15	15	½	10	57	20	180 629 301
25	20	20	15	¾	10	89	25	180 629 303
25	25	20	20	¾	10	118	25	180 629 304
32	20	25	15	1	10	80	25	180 629 307
32	25	25	20	1	10	105	25	180 629 308
32	32	25	25	1	10	231	32	180 629 309
40	20	32	15	1 ¼	10	85	32	180 629 312
40	25	32	20	1 ¼	10	119	32	180 629 313
40	32	32	25	1 ¼	10	153	32	180 629 314
40	40	32	32	1 ¼	10	187	32	180 629 315
50	20	40	15	1 ½	10	86	25	180 629 318
50	25	40	20	1 ½	10	160	32	180 629 319
50	32	40	25	1 ½	10	206	32	180 629 320
50	40	40	32	1 ½	10	524	63	180 629 321
50	50	40	40	1 ½	10	667	63	180 629 322
63	20	50	15	2	10	84	25	180 629 325
63	25	50	20	2	10	150	32	180 629 326
63	32	50	25	2	10	184	32	180 629 327
63	40	50	32	2	10	471	63	180 629 328
63	50	50	40	2	10	610	63	180 629 329
63	63	50	50	2	10	747	63	180 629 330
90	20	80	15	3	10	82	32	180 629 341
90	25	80	20	3	10	103	32	180 629 342
90	32	80	25	3	10	129	32	180 629 343
90	50	80	40	3	10	623	63	180 629 345
90	63	80	50	3	10	696	63	180 629 346
110	20	100	15	4	10	78	32	180 629 351
110	25	100	20	4	10	103	32	180 629 352
110	32	100	25	4	10	131	32	180 629 353
110	50	100	40	4	10	604	63	180 629 355

d (mm)	D (mm)	D1 (inch)	H (mm)	H3 (mm)	H4 (mm)	H5 (mm)	L (mm)	L1 (mm)	L3 (mm)	L4 (mm)	e (mm)	Lift = Hx (mm)	DN2 (mm)	e1 (mm)
20	96	¾	130	71	25	16	117	96	162	12	1.9	7	15	2
25	96	¾	131	72	25	16	133	108	162	16	1.9	10	20	2
25	96	¾	131	72	25	16	133	108	162	16	1.9	10	20	2
32	96	¾	135	76	25	16	142	120	162	19	2.4	10	20	2
32	96	¾	135	76	25	16	142	120	162	19	2.4	10	20	2
32	120	¾	167	93	26	26	145	120	160	19	2.4	13	25	2
40	120	¾	175	101	26	26	149	128	180	23	2.4	13	25	2
40	120	¾	175	101	26	26	149	128	180	23	2.4	13	25	2
40	120	¾	175	101	26	26	149	128	180	23	2.4	13	25	2

# Data sheet

valid from: 1/30/26



d	D	D1	H	H3	H4	H5	L	L1	L3	L4	e	Lift = Hx (mm)	DN2	e1
(mm)	(mm)	(inch)	(mm)	(mm)	(mm)	(mm)	(mm)	(mm)	(mm)	(mm)	(mm)	(mm)	(mm)	(mm)
40	120	1/8	175	101	26	26	174	153	180	23	2.4	13	25	2
50	96	1/8	148	90	25	16	160	134	180	27	3.0	10	20	2
50	120	1/8	180	106	26	26	160	134	180	28	3.0	13	25	2
50	120	1/8	180	106	26	26	160	134	180	28	3.0	13	25	2
50	180	1/4	249	135	37	26	209	169	209	33	3.0	23	50	2
50	180	1/4	249	135	37	26	209	169	209	33	3.0	23	50	3
63	96	1/8	155	96	25	16	177	144	180	33	3.0	10	20	2
63	120	1/8	187	113	26	26	177	144	180	35	3.0	13	25	2
63	120	1/8	187	113	26	26	177	144	180	35	3.0	13	25	2
63	180	1/4	255	141	37	26	225	192	220	39	3.0	23	50	2
63	180	1/4	255	141	37	26	225	192	220	39	3.0	23	50	3
63	180	1/4	255	141	37	26	225	192	220	39	3.0	23	50	3
90	120	1/8	200	126	26	26	205	159	190	47	4.3	13	25	2
90	120	1/8	200	126	26	26	205	159	190	47	4.3	13	25	2
90	120	1/8	200	126	26	26	205	159	190	47	4.3	13	25	2
90	180	1/4	269	155	37	26	254	207	250	51	4.3	23	50	3
90	180	1/4	269	155	37	26	254	207	250	51	4.3	23	50	3
110	120	1/8	209	135	26	26	227	171	190	56	5.3	13	25	2
110	120	1/8	209	135	26	26	227	171	190	56	5.3	13	25	2
110	120	1/8	209	135	26	26	227	171	190	56	5.3	13	25	2
110	180	1/4	279	165	37	26	276	219	250	60	5.3	23	50	3

The technical data are not binding. They neither constitute expressly warranted characteristics nor guaranteed properties nor a guaranteed durability. They are subject to modification. Our General Terms of Sale apply.

Georg Fischer Piping Systems Ltd, Postfach, CH-8201 Schaffhausen/Switzerland Phone +41 -(0)52-631 1111 e-mail: info.ps@georgfischer.com Internet: <http://www.gfps.com>