

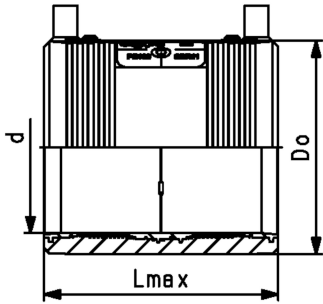


ELGEF Plus Electrofusion coupler PE100 d75-315mm / SDR11

- 10 bar Gas / 16 bar Water
- 4 mm pin connectors
- Limited path fusion indicators
- Removable centre stop up to d160

Note:

*FM 1613 approved - 15 bar



	d (mm)	DN (mm)	PN (bar)	Code	Weight (kg)	Do (mm)	Lmax (mm)	Suitable for
	75	65	16	753 911 612	0.282	96	110	SDR pipe 9 - 17.6
*	90	80	16	753 911 613	0.406	113	125	SDR pipe 9 - 17.6
*	110	100	16	753 911 614	0.692	138	145	SDR pipe 9 - 17.6
*	125	100	16	753 911 615	0.718	154	156	SDR pipe 9 - 17.6
*	140	125	16	753 911 616	0.945	172	166	SDR pipe 9 - 17.6
*	160	150	16	753 911 617	1.362	196	180	SDR pipe 9 - 17.6
*	180	150	16	753 911 618	1.747	219	192	SDR pipe 9 - 17.6
*	200	200	16	753 911 619	1.866	244	208	SDR pipe 9 - 17.6
*	225	200	16	753 911 620	3.329	273	225	SDR pipe 9 - 17.6
*	250	250	16	753 911 621	4.678	304	248	SDR pipe 9 - 17.6
*	280	250	16	753 911 622	7.500	340	252	SDR pipe 9 - 17.6
*	315	300	16	753 911 623	8.142	382	267	SDR pipe 9 - 17.6

The technical data are not binding. They neither constitute expressly warranted characteristics nor guaranteed properties nor a guaranteed durability. They are subject to modification. Our General Terms of Sale apply.

Georg Fischer Piping Systems Ltd, Postfach, CH-8201 Schaffhausen/Switzerland Phone +41 -(0)52-631 1111 e-mail:
info.ps@georgfischer.com Internet: <http://www.gfps.com>