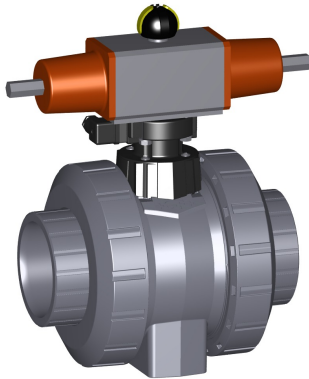


DN10/15 - 50



Ball valve type 546 Pro P ABS
FO (Fail safe to open)
Without manual override
With solvent cement sockets Inch BS

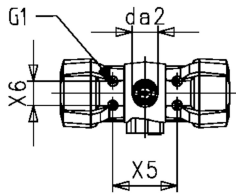
Model:

- Control pressure supply through integrated NAMUR interface according VDI/VDE 3845 with 4.2 bar (60.9 psi)
- Control time 90° < 1-2 s
- For easy installation and removal
- Integrated stainless steel mounting inserts
- Full plastic solution (actuator housing made of PP-GF)
- Visual position indicator
- Z-dimension, valve end and union nut are compatible with type 230 – 235 and 546 (1st Generation)

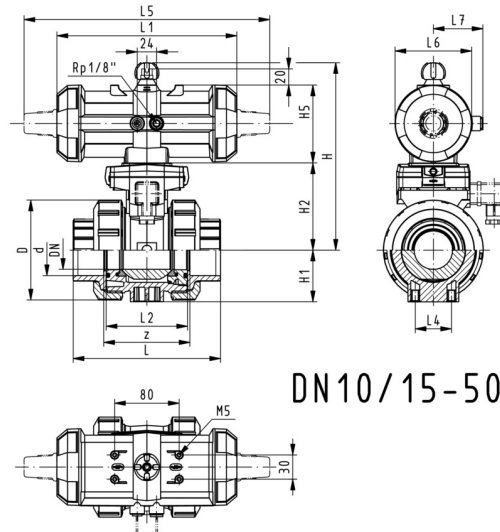
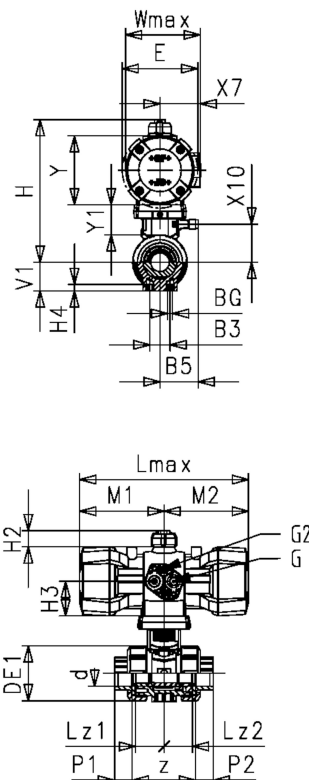
Option:

- Position feedback sensor, incl. LED feedback (DN10-50) - PNP, NPN and NAMUR
- Positioner RPC, RPC D, RPC PID
- Individual configuration of the valve

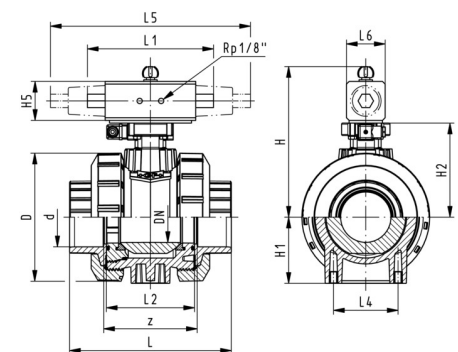
Size (inch)	DN (mm)	PN (bar)	kv-value ($\Delta p=1$ bar) (L/min)	EPDM Code	SP	Weight (kg)
3/8	10	10	70	199 254 862	1	1.200
1/2	15	10	185	199 254 863	1	1.200
3/4	20	10	350	199 254 864	1	1.300
1	25	10	700	199 254 865	1	1.400
1 1/4	32	10	1000	199 254 866	1	2.500
1 1/2	40	10	1600	199 254 867	1	2.800
2	50	10	3100	199 254 868	1	3.700
2 1/2	65	10	5000	199 254 869	1	6.700
3	80	10	7000	199 254 870	1	8.600
4	100	10	11000	199 254 871	1	12.800



Size (inch)	D (mm)	H (mm)	H1 (mm)	H2 (mm)	H5 (mm)	L (mm)	L1 (mm)	L2 (mm)	L4 (mm)	L5 (mm)	L6 (mm)	L7 (mm)	z (mm)
3/8	50	159	27	62	77	92	194	56	25	261	76	48	60
1/2	50	159	27	62	77	95	194	56	25	261	76	48	60
3/4	58	168	30	71	77	110	194	65	25	261	76	48	69
1	68	168	36	71	77	123	194	71	25	261	76	48	75
1 1/4	84	202	44	84	99	146	224	85	45	305	95	59	89
1 1/2	97	202	51	84	99	157	224	89	45	305	95	59	97
2	124	225	64	106	99	183	224	101	45	305	95	59	110
2 1/2	166	262	85	156	70	233		136	70	276	65		144
3	200	281	105	168	78	254		141	70	341	72		151
4	238	292	123	175	86	301		164	120	369	80		174



DN10/15-50



DN65-100

Data sheet

valid from: 7/15/23



The technical data are not binding. They neither constitute expressly warranted characteristics nor guaranteed properties nor a guaranteed durability. They are subject to modification. Our General Terms of Sale apply.

Georg Fischer Piping Systems Ltd, Postfach, CH-8201 Schaffhausen/Switzerland Phone +41 -(0)52-631 1111 e-mail: info.ps@georgfischer.com Internet: <http://www.gfps.com>