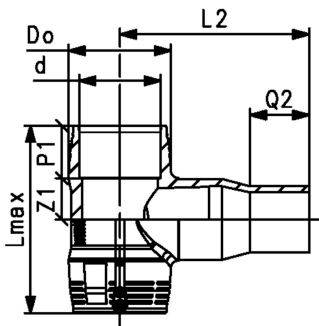




ELGEF Plus Tee 90° reduced PE100 d110-250mm / SDR11

- 4 mm pin connectors
- Limited path fusion indicators
- * Two separate fusion zones



d (mm)	d2 (mm)	PN (bar)	DN (mm)	Code	Weight (lb)
110	90	16	100	753 211 034	3.642
125	90	16	100	753 211 035	4.943
140	63	16	125	753 901 867	6.347
140	75	16	125	753 901 868	6.477
140	90	16	125	753 901 869	6.711
140	110	16	125	753 901 870	7.130
160	63	16	150	753 211 025	8.239
160	90	16	150	753 211 026	8.499
160	110	16	150	753 211 027	8.759
*	200	90	200	753 211 059	19.868
*	200	110	200	753 211 060	27.337
*	200	160	200	753 211 063	27.337
*	225	90	200	753 211 069	28.881
*	225	110	200	753 211 070	28.881
*	225	160	200	753 211 073	29.983
*	250	110	250	753 211 080	25.706
*	250	160	250	753 211 083	37.633

Z1 (mm)	Q2 (mm)	Do (mm)	L2 (mm)	Lmax (mm)	Suitable for	P1 (mm)	
56	80	140	245	255	Pipe SDR 9-17.6	72	
53	80	156	245	276	Pipe SDR 9-17.6	75	
67	80	185	220	300	Pipe SDR 9-17.6	83	
67	90	185	230	300	Pipe SDR 9-17.6	83	
67	95	185	235	300	Pipe SDR 9-17.6	83	
67	105	185	245	300	Pipe SDR 9-17.6	83	
76	63	208	178	330	Pipe SDR 11-17.6	89	
76	94	208	209	330	Pipe SDR 11-17.6	89	
76	104	208	219	330	Pipe SDR 11-17.6	89	
*	194	81	250	216	595	Pipe SDR 11-26	104
*	194	84	250	219	600	Pipe SDR 11-26	104
*	194	101	250	237	595	Pipe SDR 11-26	104
*	217	80	280	228	666	Pipe SDR 11-26	112
*	217	85	280	238	670	Pipe SDR 11-26	112
*	206	105	280	258	636	Pipe SDR 11-26	112
*	220	85	310	284	709	Pipe SDR 11-26	123
*	220	101	310	266	711	Pipe SDR 11-26	123

The technical data are not binding. They neither constitute expressly warranted characteristics nor guaranteed properties nor a guaranteed durability. They are subject to modification. Our General Terms of Sale apply.