

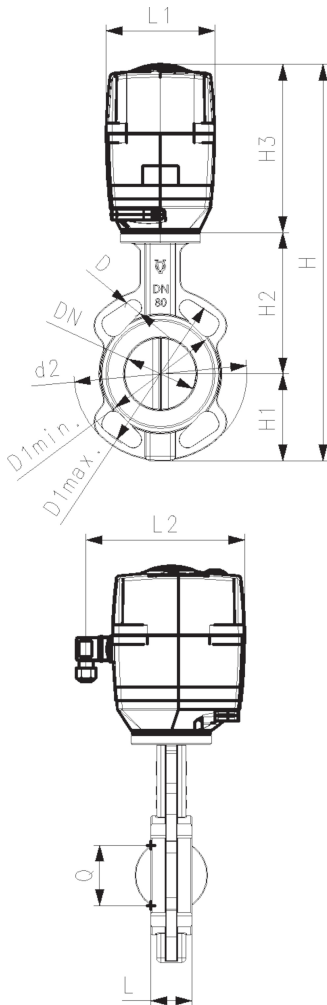
Wafer-Style, intermediate installation butterfly valve metal type 039
With electric actuator 230V
Flange standard Metric/Inch/ASTM - PN10
Disc: ductile iron/Rilsan coated

Model:

- Wafer Style
- Body GGG40 (A 395 / A395 M-99, EN-JIS 1020 EN1563) Rilsan® coating
- Voltage 100-230V, 50-60Hz for EA actuator
- Installation length: EN 558 row 20
- Interface according to DIN EN ISO 5211
- Pressure range: 10 bar (DN 50-200); 6 bar (DN 250); 4 bar (DN 300 - 600)
- Axis DN50 - DN300: Single-piece axis with square profile, material stainless steel DIN Norm 1.4021
- Flange connection: DN50 - DN300: PN6, PN10, ANSI 125/150 Lbs., BS 10-D/E

Option:

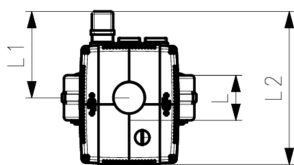
- Other liner material on request
- Optional accessories: Fail-safe return unit
- * Electric actuator for higher nominal pressure on request



d (mm)	Size (inch)	DN (mm)	PN (bar)	kv-value ($\Delta p=1$ bar) (L/min)	Liner: EPDM Code	SP	Weight (kg)
63	2	50	10	3140	199 039 130	1	5.50
75	2 ½	65	10	4570	199 039 131	1	6.20
90	3	80	10	7140	199 039 132	1	7.90
110	4	100	10	11710	199 039 133	1	9.30
140	5	125	10	18570	199 039 134	1	11.00
160	6	150	10	27130	199 039 135	1	13.90
225	8	200	10	47130	199 039 136	1	18.50
280	10	250	6	77110	199 039 137	1	27.80
315	12	300	4	114240	199 039 138	1	36.70

d (mm)	Liner: FKM Code	Liner: EPDM DVGW Code	Liner: NBR Code	PF
63	199 039 143	199 039 683	199 039 665	3 39 226 264
75	199 039 144	199 039 684	199 039 666	3 39 226 264
90	199 039 145	199 039 685	199 039 667	3 39 226 264
110	199 039 146	199 039 686	199 039 668	3 39 226 264
140	199 039 147	199 039 687	199 039 669	3 39 226 264
160	199 039 148	199 039 688	199 039 670	3 39 226 264
225	199 039 149	199 039 689	199 039 671	3 39 226 264
280	199 039 150	199 039 690	199 039 672	3 39 226 264
315	199 039 151	199 039 691	199 039 673	3 39 226 264

d (mm)	Type of actuator	D3 (mm)	D4 (mm)	H (mm)	H1 (mm)	H2 (mm)	H3 (mm)	L (mm)	L1 (mm)	L2 (mm)
63	EA45	96	165	381	53	140	188	43	28	122
75	EA120	114	185	403	63	152	188	46	28	122
90	EA120	131	190	418	71	159	188	46	28	122
110	EA120	152	229	453	87	178	188	52	64	181
140	EA120	182	254	481	102	191	188	56	60	220
160	EA250	209	285	533	122	203	208	56	60	220
225	EA250	262	343	598	149	241	208	60	60	220
280	EA250	323	333	682	201	273	208	68	70	220
315	EA250	373	353	750	231	311	208	78	70	220



Data sheet

valid from: 12/13/24



The technical data are not binding. They neither constitute expressly warranted characteristics nor guaranteed properties nor a guaranteed durability. They are subject to modification. Our General Terms of Sale apply.

Georg Fischer Piping Systems Ltd, Postfach, CH-8201 Schaffhausen/Switzerland Phone +41 -(0)52-631 1111 e-mail:
info.ps@georgfischer.com Internet: <http://www.gfps.com>