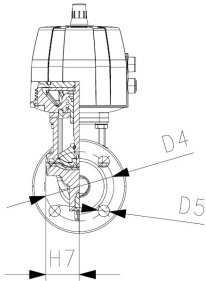
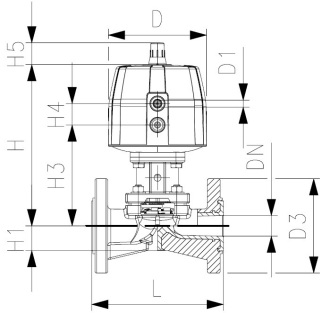




SYGEF ECTFE Type SDV Diaphragm Valve ANSI
With pneumatic actuator FC (fail safe to close)

Model:

- ANSI flange connection
- Material: PFA lined SSSt valve body, PTFE-T/FKM diaphragm
- With pneumatic actuator



Size (inch)	d (mm)	DN (mm)	PN (bar)	kv-value ($\Delta p=1$ bar) (L/min)	Code	Weight (kg)
1/2	20	15	10	130	160 144 256	4.8
3/4	25	20	10	167	160 144 257	5.3
1	32	25	10	250	160 144 258	6.1
1 1/4	40	32	10	375	160 144 259	7.8
1 1/2	50	40	10	617	160 144 260	12.8
2	63	50	10	1083	160 144 261	15.3
2 1/2	75	65	10	1583	160 144 262	19.8
3	90	80	8	2233	160 144 263	31.7
4	110	100	7	3333	160 144 264	47.0

L (mm)	D (mm)	D1 (inch)	D3 (mm)	D4 (mm)	D5 (mm)	H (mm)	H1 (mm)	H3 (mm)	H4 (mm)	H5 (mm)	H7 (mm)	Body
130	120	1/8	90	60	16	211	24	115	26	23	36	PFA lined SSSt
150	120	1/8	100	70	16	213	26	117	26	23	36	PFA lined SSSt
146	120	1/8	110	80	16	227	30	123	26	23	41	PFA lined SSSt
180	150	1/4	115	89	16	253	35	141	36	36	52	PFA lined SSSt
174	180	1/4	125	98	16	284	41	154	37	36	56	PFA lined SSSt
200	180	1/4	150	121	19	302	44	159	37	36	70	PFA lined SSSt
290	280	1/2	180	140	19	366	55	182	24	46	82	PFA lined SSSt
260	280	1/2	190	152	19	373	60	200	24	46	100	PFA lined SSSt
327	335	1/2	230	191	19	448	72	267	24	46	123	PFA lined SSSt

The technical data are not binding. They neither constitute expressly warranted characteristics nor guaranteed properties nor a guaranteed durability. They are subject to modification. Our General Terms of Sale apply.

Georg Fischer Piping Systems Ltd, Postfach, CH-8201 Schaffhausen/Switzerland Phone +41 -(0)52-631 1111 e-mail:
 info.ps@georgfischer.com Internet: <http://www.gfps.com>