



**PVC-U Ball valve type 546 Pro with PPA  
FC (Fail safe to close)  
With solvent cement sockets PVC-U ASTM  
Without manual override  
5.6 bar control pressure**

**Model:**

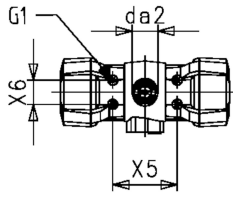
- Control pressure supply through integrated NAMUR interface according VDI/VDE 3845 with 5.6 bar (81.2 psi)
- Control time 90°<) 1-2s
- For easy installation and removal
- Integrated stainless steel mounting inserts
- Threaded valve ends are only enclosed for DN10/15-50
- Full plastic solution (actuator housing made of PP-GF)
- Visual position indicator

**Option:**

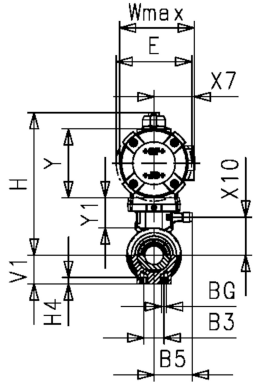
- Position feedback sensor, incl. LED feedback (DN10-50) - PNP, NPN and NAMUR
- Positioner RPC, RPC D, RPC PID
- Individual configuration of the valve

# Data sheet

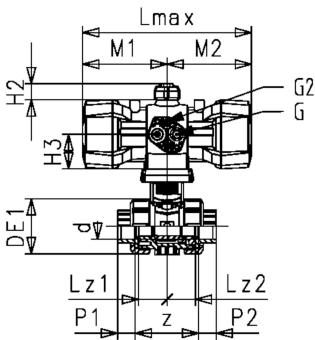
valid from: 2/8/25



d (mm)	Size (inch)	DN (mm)	PN (bar)	Cv-value (l/min)	EPDM Code	SP weight (kg)	FKM Code	SP weight (kg)
16	¾	10	10	70	199 253 062	1	1.200	199 253 072
20	½	15	10	185	199 253 063	1	1.200	199 253 073
25	¾	20	10	350	199 253 064	1	1.300	199 253 074
32	1	25	10	700	199 253 065	1	1.243	199 253 075
40	1 ¼	32	10	1000	199 253 066	1	2.500	199 253 076
50	1 ½	40	10	1600	199 253 067	1	2.800	199 253 077
63	2	50	10	3100	199 253 068	1	3.700	199 253 078
75	2 ½	65	10	5000	199 253 069	1	7.800	199 253 079
90	3	80	10	7000	199 253 070	1	10.200	199 253 080
110	4	100	10	11000	199 253 071	1	15.300	199 253 081



Actuator	DE1 (mm)	V1 (mm)	H4 (mm)	M1 (mm)	M2 (mm)	G2 (mm)	G (mm)	H3 (mm)	Lz1 (mm)	Lz2 (mm)	Lmax (mm)	E (mm)	Y1 (mm)	Y (mm)
PPA08	50	27	12	80	80	M5	G 1/4	41	28	28	159	74	35	75
PPA08	50	27	12	80	80	M5	G 1/4	41	28	28	159	74	35	75
PPA08	58	30	12	80	80	M5	G 1/4	41	33	33	159	74	35	75
PPA15	68	36	12	106	106	M5	G 1/4	45	36	36	211	94	35	88
PPA15	84	44	15	106	106	M5	G 1/4	45	43	43	211	94	33	88
PPA40	97	51	15	123	123	M5	G 1/4	56	45	45	246	120	33	111
PPA40	124	64	15	123	123	M5	G 1/4	56	51	51	246	120	36	111
PPA80	166	85	15	172	172	M5	G 1/4	66	68	68	343	142		131
PPA80	200	105	15	172	172	M5	G 1/4	66	71	71	343	142		131
PPA80	238	123	22	172	172	M5	G 1/4	66	82	82	343	142		131



H (mm)	X10 (mm)	B3 (mm)	BG (mm)	Wmax (mm)	G1 (mm)	da2 (mm)	X6 (mm)	X5 (mm)	X7 (mm)	H2 (mm)	P1 (mm)	P2 (mm)	z (mm)
155	35	25	M6	77	M5	33	30	80	43	20	12	12	68
155	35	25	M6	77	M5	33	30	80	43	20	14	14	67
159	35	25	M6	77	M5	33	30	80	43	20	17	17	76
178	35	25	M6	93	M5	33	30	80	51	20	21	21	82
184	33	45	M8	93	M5	33	30	80	51	20	24	24	98
213	33	45	M8	117	M5	33	30	80	62	20	29	29	99
228	36	45	M8	117	M5	33	30	80	62	20	36	36	111
307		70	M8	139	M5	33	30	80	74	20	43	43	148
319		70	M8	139	M5	33	30	80	74	20	46	46	163
326		120	M12	139	M5	33	30	80	74	20	62	62	178

The technical data are not binding. They neither constitute expressly warranted characteristics nor guaranteed properties nor a guaranteed durability. They are subject to modification. Our General Terms of Sale apply.

Georg Fischer Piping Systems Ltd, Postfach, CH-8201 Schaffhausen/Switzerland Phone +41 -(0)52-631 1111 e-mail: info.ps@georgfischer.com Internet: <http://www.gfps.com>