



SYGEF Plus
Diaphragm valve DIASTAR Sixteen
FC (Fail safe to close)
Unions with butt fusion spigots metric

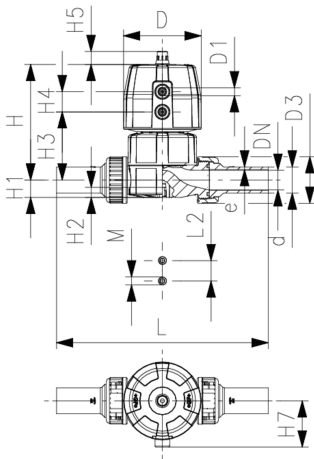
Model:

- Material: PVDF-HP
- Double flow rate compared to predecessor
- One housing nut replaces four screws
- Rotating air connection at 90° intervals
- For easy installation and removal
- Short overall length
- Ideally suited for High Purity applications, not recommended for oxidizing acids
- **For water use only**

Option:

- Individual configuration of the valve (see diagram)
- Comprehensive range of accessories available

*O-ring material: FKM white



d (mm)	DN (mm)	PN (bar)	kv-value ($\Delta p=1$ bar) (l/min)	PTFE/EPDM Code	SP	Weight (kg)
20	15	16	125	180 634 132	1	1.172
25	20	16	271	180 634 133	1	1.381
32	25	16	481	180 634 134	1	2.225
40	32	16	759	180 634 135	1	3.730
50	40	16	1263	180 634 136	1	5.786
63	50	10	1728	180 634 137	1	6.880

d (mm)	D (mm)	D1_G (inch)	H (mm)	H1 (mm)	H2 (mm)	H3 (mm)	H4 (mm)	H5 (mm)	H7 (mm)	L (mm)	L2 (mm)	M	e (mm)	Lift = Hx (mm)
20	96	⅜	127	14	12	68	25	16	57	196	25	M6	1.9	7
25	96	⅜	132	18	12	73	25	16	57	221	25	M6	1.9	10
32	120	⅝	167	22	12	93	26	26	69	234	25	M6	2.4	13
40	150	¾	196	26	15	101	36	26	88	260	45	M8	2.4	15
50	180	¾	239	32	15	124	37	26	103	284	45	M8	3.0	19
63	180	¾	251	39	15	137	37	26	103	321	45	M8	3.0	23

d (mm)	closest inch (inch)
20	⅜
25	¾
32	1
40	1 ¼
50	1 ½
63	2

The technical data are not binding. They neither constitute expressly warranted characteristics nor guaranteed properties nor a guaranteed durability. They are subject to modification. Our General Terms of Sale apply.

Georg Fischer Piping Systems Ltd, Postfach, CH-8201 Schaffhausen/Switzerland Phone +41 -(0)52-631 1111 e-mail: info.ps@georgfischer.com Internet: <http://www.gfps.com>