

**SYGEF Plus 超纯型
PVDF-HP 气动隔膜阀 DIASTAR 10+
FC (常关)
带对焊端 公制**

型号:

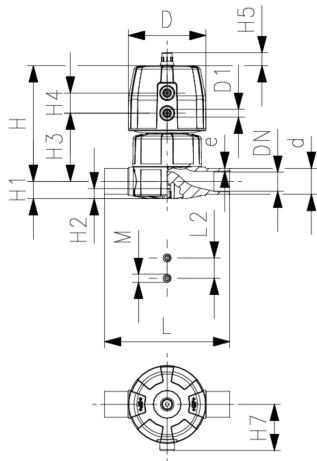
- 材质 : PVDF-HP
- 相对于以往产品双倍流速
- 用一个压紧螺帽代替原先的四个螺栓
- 气路连接可以旋转90度

选项:

- 可提供其他阀门配置
- 提供多种附件

工作压力 : 双边

* O型圈材质: 白色FKM



d	DN	Size	PN	kv-value	PTFE/ EPDM	SP weight	PTFE/FKM	SP weight
(mm)	(mm)	(inch)	(bar)	($\Delta p=1$ bar)	code	(kg)	code	(kg)
				(l/min)				
20	15	1/2	10	125	181 685 132	1	181 685 152	1,079
25	20	3/4	10	271	181 685 133	1	181 685 153	1,208
32	25	1	10	481	181 685 134	1	181 685 154	2,021
40	32	1 1/4	10	759	181 685 135	1	181 685 155	3,349
50	40	1 1/2	10	1263	181 685 136	1	181 685 156	5,288
63	50	2	10	1728	181 685 137	1	181 685 157	6,150

d	D	D1_G	H	H1	H2	H3	H4	H5	H7	L	L2	M	e	Lift = Hx
(mm)	(mm)	(inch)	(mm)	(mm)	(mm)	(mm)	(mm)	(mm)	(mm)	(mm)	(mm)	(mm)	(mm)	(mm)
20	96	1/8	127	14	12	68	25	16	57	124	25	M6	1,9	7
25	96	1/8	132	18	12	73	25	16	57	144	25	M6	1,9	10
32	120	1/8	167	22	12	93	26	26	69	154	25	M6	2,4	13
40	150	1/4	196	26	15	101	36	26	88	174	45	M8	2,4	15
50	180	1/4	239	32	15	124	37	26	103	194	45	M8	3,0	19
63	180	1/4	251	39	15	137	37	26	103	224	45	M8	3,0	23

d	近似英寸
(mm)	(inch)
20	1/2
25	3/4
32	1
40	1 1/4
50	1 1/2
63	2

The technical data are not binding. They neither constitute expressly warranted characteristics nor guaranteed properties nor a guaranteed durability. They are subject to modification. Our General Terms of Sale apply.

Georg Fischer Piping Systems Ltd, Postfach, CH-8201 Schaffhausen/Switzerland Phone +41 -(0)52-631 1111e-mail: info.ps@georgfischer.com Internet: http://www.gfps.com