



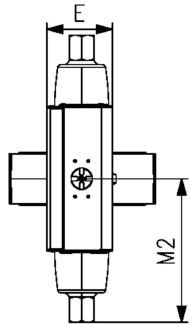
**Butterfly valve type 240 PVC-C
FC (Fail safe to close)
Without manual override**

Model:

- Control range 90° <
- Overall length according to EN 558, ISO 5752
- Connecting dimension: ISO 7005 PN 10, EN 1092 PN 10, DIN 2501 PN 10, ANSI/ASME B 16.5 Class 150, BS 1560: 1989, BS 4504, JIS B 2220

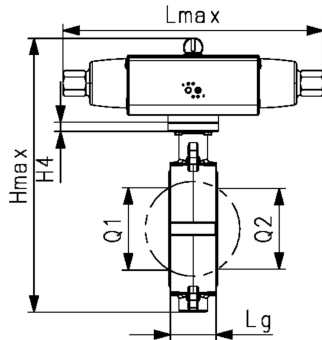
Note:

For some material combination (e.g. DN300 valves with PE/PP pipes) special flange adapters are needed. Please check the "Perfect flange connection tool" on www.gfps.com

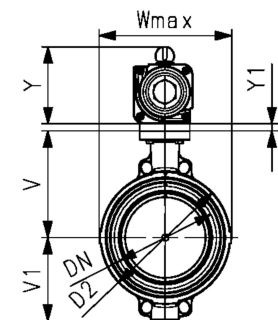


d (mm)	Size (inch)	DN (mm)	PN (bar)	kv-value ($\Delta p=1$ bar) (L/min)	EPDM Code	SP Weight (kg)	FKM Code	SP Weight (kg)
63	2	50	10	740	199 240 162	1	3.218	199 240 182
75	2 ½	65	10	1500	199 240 163	1	3.341	199 240 183
90	3	80	10	2400	199 240 164	1	3.524	199 240 184
110	4	100	10	3800	199 240 165	1	5.271	199 240 185
140	5	125	10	8600	199 240 166	1	7.169	199 240 186
160	6	150	10	11400	199 240 167	1	10.184	199 240 187
225	8	200	10	19900	199 240 168	1	14.466	199 240 188

d (mm)	PTFE Code
63	199 240 642
75	199 240 643
90	199 240 644
110	199 240 645
140	199 240 646
160	199 240 647
225	199 240 648



d (mm)	Hmax (mm)	Lmax (mm)	Wmax (mm)	U (mm)	V (mm)	H4 (mm)	V1 (mm)	Lg (mm)	D2 (mm)	d2 (mm)	Q1 (mm)	Q2 (mm)	Y (mm)	E (mm)
63	325.3	274.4	118.4	90	133.3	23	78.8	45	104	104	40		98.2	70.4
75	338.2	274.4	132.5	90	139.9	23	85.1	46	115	115	54	35	98.2	70.4
90	362.9	325.2	136.8	90	145.6	23	91.2	49	131	131	67	50	111.1	83.3
110	386.9	359.6	161.0	90	166.4	23	105.7	56	161	161	88	74	114.8	87.0
140	448.3	418.0	187.0	90	180.0	23	118.8	64	187	187	113	97	149.5	107.5
160	473.0	434.0	215.0	90	189.0	23	130.9	72	215	215	139	123	153.1	111.1
225	528.8	498.4	267.0	90	210.5	23	158.3	73	267	267	178	169	160.0	118.0



d (mm)	Y1 (mm)	M2 (mm)
63	15	137.2
75	15	137.2
90	15	162.6
110		179.8
140		209.0
160		217.0
225		249.2

Data sheet

valid from: 2/8/25



The technical data are not binding. They neither constitute expressly warranted characteristics nor guaranteed properties nor a guaranteed durability. They are subject to modification. Our General Terms of Sale apply.

Georg Fischer Piping Systems Ltd, Postfach, CH-8201 Schaffhausen/Switzerland Phone +41 -(0)52-631 1111 e-mail:
info.ps@georgfischer.com Internet: <http://www.gfps.com>