

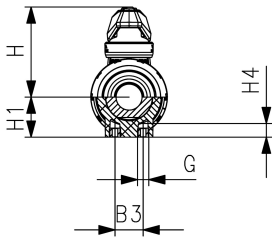
PROGEF Standard Ball Valve type 546 Pro PP-H
With butt fusion spigots IR-Plus SDR11 ISO

Model:

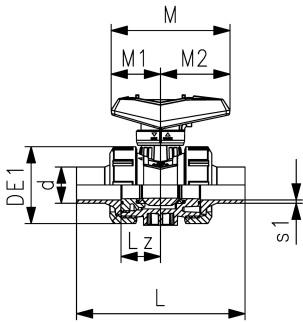
- Lockable lever as standard
- Integrated stainless steel mounting inserts
- Z-dimension, valve end and union nut **are compatible** with type 546 (1st Generation)
- The inclusive 2 fusion socket valve ends are only available up to DN50.

Option:

- Interface-module with position feedback sensor with LED (PNP, NPN and NAMUR)
- Manual spring return lever ("Dead man") (DN10-25)
- Pneumatic or electric actuators from GF
- Individual configuration of valves possible



d (mm)	DN (mm)	Size (inch)	PN (bar)	kv-value ($\Delta p=1$ bar) (l/min)	EPDM Code	SP	Weight (kg)	FKM Code	SP	Weight (kg)
20	15	½	10	185	167 546 442	1	0.121	167 546 452	1	0.123
25	20	¾	10	350	167 546 443	1	0.183	167 546 453	1	0.185
32	25	1	10	700	167 546 444	1	0.260	167 546 454	1	0.263
40	32	1 ¼	10	1000	167 546 445	1	0.454	167 546 455	1	0.456
50	40	1 ½	10	1600	167 546 446	1	0.633	167 546 456	1	0.642
63	50	2	10	3100	167 546 447	1	1.151	167 546 457	1	1.180
75	65	2 ½	10	5000	167 546 448	1	2.822	167 546 458	1	2.602
90	80	3	10	7000	167 546 449	1	4.717	167 546 459	1	5.500
110	100	4	10	11000	167 546 450	1	6.171	167 546 460	1	8.700



d (mm)	B3 (mm)	DE1 (mm)	G (inch)	H (mm)	H1 (mm)	H4 (mm)	L (mm)	Lz (mm)	M (mm)	M1 (mm)	M2 (mm)	s1 (mm)
20	25	50	M6	60.5	27	12	130	28	82	35	47	1.9
25	25	58	M6	74.0	30	12	143	33	106	44	62	2.3
32	25	68	M6	80.0	36	12	150	36	106	44	62	3.0
40	45	84	M8	95.0	44	15	171	43	131	57	74	3.7
50	45	97	M8	101.5	51	15	191	45	131	57	74	4.6
63	45	124	M8	116.5	64	15	220	51	152	66	86	5.8
75	70	166	M8	169.0	85	15	266	68	270	64	205	8.2
90	70	200	M8	180.0	105	15	264	71	270	64	205	10.0
110	100	238	M12	194.0	123	22	301	82	326	71	255	12.0

The technical data are not binding. They neither constitute expressly warranted characteristics nor guaranteed properties nor a guaranteed durability. They are subject to modification. Our General Terms of Sale apply.

Georg Fischer Piping Systems Ltd, Postfach, CH-8201 Schaffhausen/Switzerland Phone +41 -(0)52-631 1111 e-mail:
 info.ps@georgfischer.com Internet: <http://www.gfps.com>