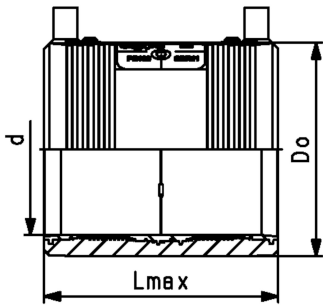




**ELGEF Plus Electrofusion coupler PE100**  
**d160-315mm / SDR17**

- 5 bar Gas / 10 bar Water
- 4mm pin connectors
- Limited path fusion indicators
- d160 with removable centre stop



d (mm)	DN (mm)	PN (bar)	Code	Weight (kg)	Do (mm)	Lmax (mm)	SDR pipe
160	150	10	<b>753 911 817</b>	1.017	186	180	9-26
180	150	10	<b>753 911 818</b>	1.434	213	192	9-26
200	200	10	<b>753 911 819</b>	1.726	233	206	9-26
225	200	10	<b>753 911 820</b>	2.545	261	225	9-26
250	250	10	<b>753 911 821</b>	4.616	304	248	9-26
280	250	10	<b>753 911 822</b>	5.606	340	252	9-26
315	300	10	<b>753 911 823</b>	6.100	382	267	9-26

The technical data are not binding. They neither constitute expressly warranted characteristics nor guaranteed properties nor a guaranteed durability. They are subject to modification. Our General Terms of Sale apply.

Georg Fischer Piping Systems Ltd, Postfach, CH-8201 Schaffhausen/Switzerland Phone +41 -(0)52-631 1111 e-mail:  
 info.ps@georgfischer.com Internet: <http://www.gfps.com>