

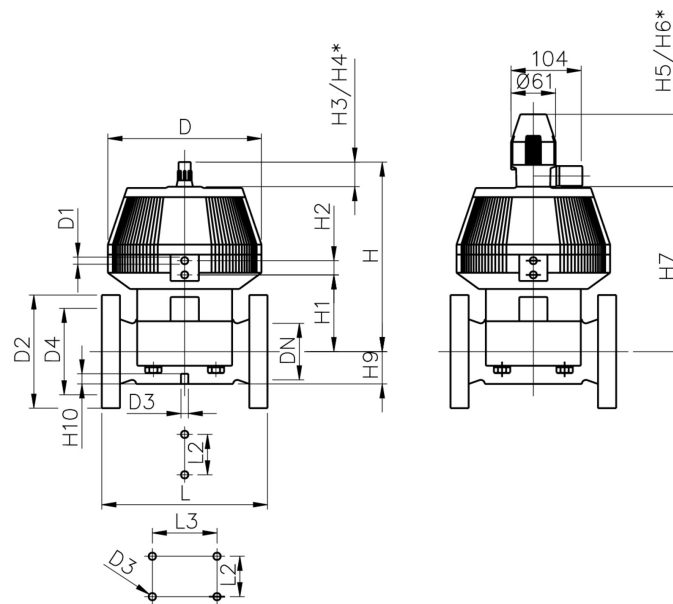


SYGEF Standard Diaphragm valve type DIASTAR 025
Function FC (Fail safe to close)
With fixed flanges PVDF Inch ANSI

Model:

- Material: PVDF
- Overall length according to EN 558
- Connecting dimension: ANSI/ASME B 16.5 class 150, ASTM D 4024, BS 1560, BS EN 1759
- With position indicator / Working pressure: on one side
- * With backing flanges PP-V
- ** Connecting dimensions DN80 and DN150 metric and Inch ANSI B16.5

Size (inch)	PTFE/EPDM Code
2 ½	199 025 327
3	199 025 358
4	199 025 329



The technical data are not binding. They neither constitute expressly warranted characteristics nor guaranteed properties nor a guaranteed durability. They are subject to modification. Our General Terms of Sale apply.

Georg Fischer Piping Systems Ltd, Postfach, CH-8201 Schaffhausen/Switzerland Phone +41 -(0)52-631 1111 e-mail:
 info.ps@georgfischer.com Internet: <http://www.gfps.com>