



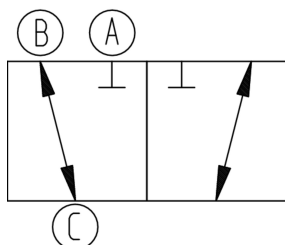
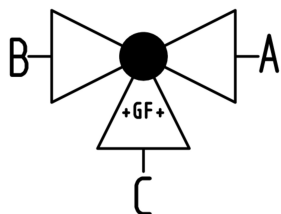
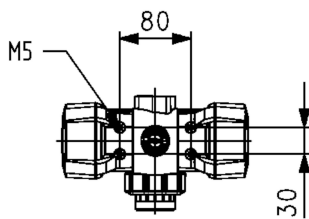
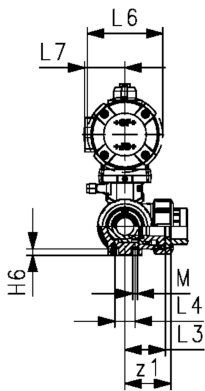
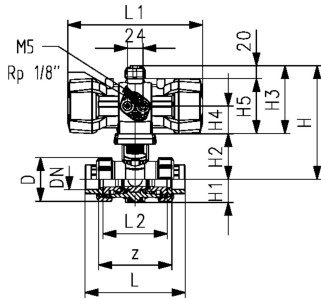
**PROGEF 标准型**  
**PP-H 气动三通球阀 543Pro P FC(常关)**  
 水平型/L型孔  
 带内螺纹阀端 Rp

**型号:**

- 材质：PP-H
- 装配气动执行器PA11 (DN10/15-25), PA21 (DN32-50)
- 执行器遇故障时自动关闭 FC
- 初始位B-C开, 受控位A-C开, 见流程图
- 控制时间：90°<) 1-3 s
- 安装简单, 易拆卸
- 内置不锈钢固定螺孔
- 整体耐腐蚀塑料方案(气动执行器外壳材质 PP-GF)
- 带可视机械式位置指示
- Z尺寸、阀端和活接螺母与285-288型及543型球阀 (第1代) 兼容

**选项:**

- 可配阀位反馈器, 带LED指示(DN10-DN50), 信号PNP, NPN和Namur
- 可选配定位器RPC, RPC D, RPC PID
- 可提供其他阀门配置



d (mm)	DN (mm)	Thread Type	Size (inch)	PN (bar)	kv-value (Δp=1 bar) (l/min)	EPDM code	SP weight (kg)
16	10	Rp	3/8	10	50	199 296 122	1, 1,031
20	15	Rp	1/2	10	75	199 296 123	1, 1,035
25	20	Rp	3/4	10	150	199 296 124	1, 1,125
32	25	Rp	1	10	280	199 296 125	1, 1,250
40	32	Rp	1 1/4	10	480	199 296 126	1, 2,217
50	40	Rp	1 1/2	10	620	199 296 127	1, 2,513
63	50	Rp	2	10	1230	199 296 128	1, 3,420

FKM code	SP weight (kg)
199 296 132	1, 1,031
199 296 133	1, 1,035
199 296 134	1, 1,125
199 296 135	1, 1,250
199 296 136	1, 2,217
199 296 137	1, 2,513
199 296 138	1, 3,420

Actuator	D (mm)	H (mm)	H1 (mm)	H2 (mm)	H3 (mm)	H4 (mm)	H5 (mm)	H6 (mm)	L (mm)	L1 (mm)	L2 (mm)	L3 (mm)	L4 (mm)	L6 (mm)
PPA08	50	157	28	62	95	41	75	8	112	159	72	36	25	74
PPA08	50	157	28	62	95	41	75	8	114	159	72	36	25	74
PPA15	58	179	32	71	108	45	88	8	131	211	85	43	25	94
PPA15	68	179	36	71	108	45	88	8	154	211	98	49	25	94
PPA40	84	215	45	84	131	56	111	9	180	246	118	59	45	120
PPA40	97	215	51	84	131	56	111	9	203	246	135	68	45	120
PPA40	124	237	65	106	131	56	111	9	258	246	176	88	45	120

L7 (mm)	M (mm)	z (mm)	z1 (mm)
32	6	86	43
32	6	84	42
38	6	99	50
38	6	112	56
47	8	132	66
47	8	153	77
47	8	196	98

# Data sheet

valid from: 2026/3/30

---



The technical data are not binding. They neither constitute expressly warranted characteristics nor guaranteed properties nor a guaranteed durability. They are subject to modification. Our General Terms of Sale apply.

Georg Fischer Piping Systems Ltd, Postfach, CH-8201 Schaffhausen/Switzerland Phone +41 -(0)52-631 1111 e-mail: info.ps@georgfischer.com Internet: <http://www.gfps.com>