

**PROGEF Standard Diaphragm valve DIASTAR TenPlus  
FC (Fail safe to close)  
Unions with fusion sockets metric**

**Model:**

- Material: PP-H
- Double flow rate compared to predecessor
- One housing nut replaces four screws
- Rotating air connection at 90° intervals
- For easy installation and removal
- Short overall length

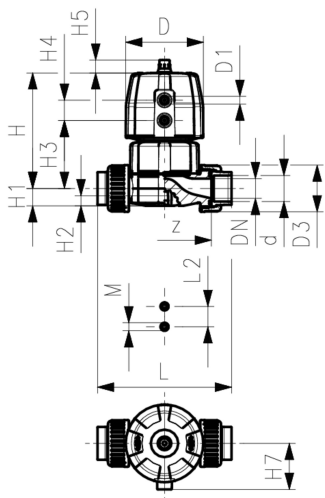
**Option:**

- Individual configuration of the valve
- Comprehensive range of accessories available

\* PN: PTFE

Working Pressure: **both sides**

\* O-Ring material: FKM



d (mm)	DN (mm)	Size (inch)	PN (bar)	PN* (bar)	kv-value (Δp=1 bar) (l/min)	EPDM Code	Weight (kg)	FKM Code	Weight (kg)
20	15	½	10	10*	125	<b>167 684 012</b>	0.958	<b>167 684 062</b>	0.958
25	20	¾	10	10*	271	<b>167 684 013</b>	1.082	<b>167 684 063</b>	1.082
32	25	1	10	10*	481	<b>167 684 014</b>	1.970	<b>167 684 064</b>	1.970
40	32	1 ¼	10	10*	759	<b>167 684 015</b>	3.136	<b>167 684 065</b>	3.136
50	40	1 ½	10	10*	1263	<b>167 684 016</b>	4.784	<b>167 684 066</b>	4.784
63	50	2	10	10*	1728	<b>167 684 017</b>	6.076	<b>167 684 067</b>	6.076

d (mm)	PTFE/ EPDM* Code	Weight (kg)
20	<b>167 684 032</b>	0.958
25	<b>167 684 033</b>	1.094
32	<b>167 684 034</b>	1.881
40	<b>167 684 035</b>	3.156
50	<b>167 684 036</b>	4.827
63	<b>167 684 037</b>	5.763

d (mm)	D (mm)	D1_G (inch)	H (mm)	H1 (mm)	H2 (mm)	H3 (mm)	H4 (mm)	H5 (mm)	H7 (mm)	L (mm)	L2 (mm)	M	z (mm)	Lift = Hx (mm)
20	96	¾	127	14	12	68	25	16	57	128	25	M6	96	7
25	96	¾	132	18	12	73	25	16	57	150	25	M6	114	10
32	120	¾	167	22	12	93	26	26	69	162	25	M6	122	13
40	150	¾	196	26	15	101	36	26	88	184	45	M8	140	15
50	180	¾	239	32	15	124	37	26	103	210	45	M8	160	19
63	180	¾	251	39	15	137	37	26	103	248	45	M8	190	23

d (mm)	closest inch (inch)
20	¾
25	¾
32	1
40	1 ¼
50	1 ½
63	2

# Data sheet

valid from: 4/8/26



---

The technical data are not binding. They neither constitute expressly warranted characteristics nor guaranteed properties nor a guaranteed durability. They are subject to modification. Our General Terms of Sale apply.

Georg Fischer Piping Systems Ltd, Postfach, CH-8201 Schaffhausen/Switzerland Phone +41 -(0)52-631 1111 e-mail:  
info.ps@georgfischer.com Internet: <http://www.gfps.com>