



3-Way ball valve type 543 Pro P PVC-U
Vertical diverter ball
Without manual override
With solvent cement sockets JIS

Model:

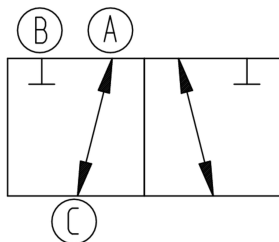
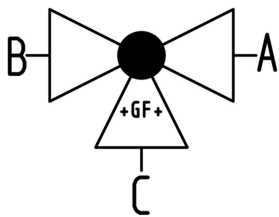
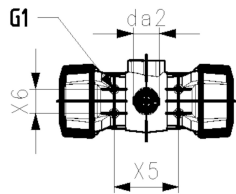
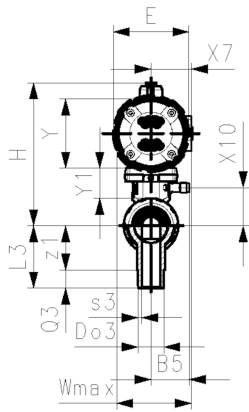
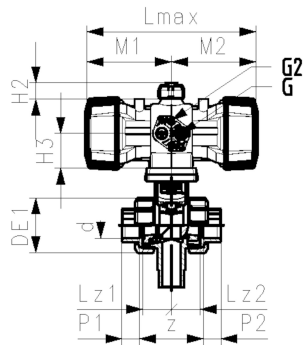
- Vertical inlet solvent cement spigot metric
- Actuator fails safe to the closed position FC
- Control pressure supply through integrated NAMUR interface according VDI/VDE 3845 with 5.6 bar (81.2 psi)
- Basic position A-C opened, activated position B-C opened, see flow scheme
- Control time 90° <) 1-2s
- Easy installation and removal using union on third outlet
- Integrated stainless steel mounting inserts
- Full plastic solution (actuator housing made of PP-GF)
- Visual position indicator
- Z-dimension, valve end and union nut are compatible with types 285 – 288 and 543 (1st Generation)

Option:

- Position feedback sensor, incl. LED feedback (DN10-50) - PNP, NPN and NAMUR
- Positioner RPC, RPC D, RPC PID
- Individual configuration of the valve

Data sheet

valid from: 4/3/25



d (mm)	DN (mm)	Size (inch)	PN (bar)	kv-value ($\Delta p=1$ bar) (L/min)	EPDM Code	SP	Weight (kg)	FKM Code	SP	Weight (kg)
20	15	½	10	77	199 298 123	1	1.035	199 298 133	1	1.035
25	20	¾	10	146	199 298 124	1	1.141	199 298 134	1	1.141
32	25	1	10	260	199 298 125	1	1.253	199 298 135	1	1.253
40	32	1 ¼	10	437	199 298 126	1	2.212	199 298 136	1	2.212
50	40	1 ½	10	667	199 298 127	1	2.466	199 298 137	1	2.466
63	50	2	10	1293	199 298 128	1	3.219	199 298 138	1	3.219

Actuator	DE1 (mm)	D (mm)	G2 (mm)	G (mm)	H (mm)	H1 (mm)	H2 (mm)	H3 (mm)	M1 (mm)	M2 (mm)	Lmax (mm)	H4 (mm)	H5 (mm)	L (mm)
PPA08	50	50	M5	G 1/4	157	62	20	41	80	80	159	41	75	95
PPA15	58	58	M5	G 1/4	179	72	20	45	106	106	211	45	88	111
PPA15	68	68	M5	G 1/4	179	77	20	45	106	106	211	45	88	123
PPA40	84	84	M5	G 1/4	215	87	20	56	123	123	246	56	111	146
PPA40	97	97	M5	G 1/4	215	97	20	56	123	123	246	56	111	157
PPA40	124	124	M5	G 1/4	215	112	20	56	123	123	246	56	111	183

L1 (mm)	L2 (mm)	L3 (mm)	L4 (mm)	L6 (mm)	L7 (mm)	z (mm)	P1 (mm)	P2 (mm)	Wmax (mm)	Y (mm)	G1 (mm)	X6 (mm)	X5 (mm)
159	56	261	76	74	32	64	16	16	74	95	M5	30	80
211	66	261	76	94	38	74	19	19	94	108	M5	30	80
211	71	261	76	94	38	79	22	22	94	108	M5	30	80
246	85	305	95	120	47	95	26	26	120	131	M5	30	80
246	89	305	95	120	47	95	31	31	120	131	M5	30	80
246	101	305	95	120	47	107	38	38	120	131	M5	30	80

The technical data are not binding. They neither constitute expressly warranted characteristics nor guaranteed properties nor a guaranteed durability. They are subject to modification. Our General Terms of Sale apply.

Data sheet

valid from: 4/3/25



Georg Fischer Piping Systems Ltd, Postfach, CH-8201 Schaffhausen/Switzerland Phone +41 -(0)52-631 1111 e-mail:
info.ps@georgfischer.com Internet: <http://www.gfps.com>