



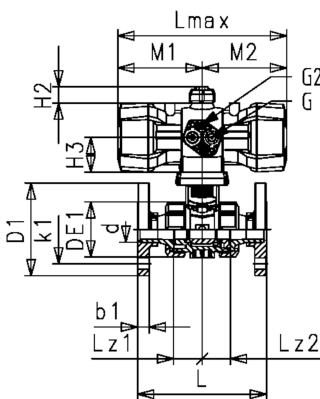
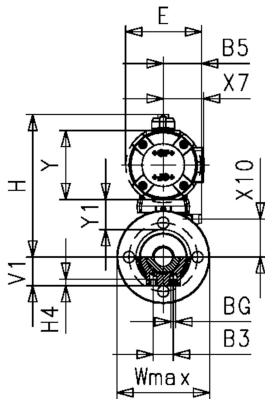
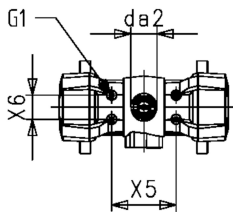
PROGEF Standard PP-H Ball valve type 546 Pro with PPA FC (Fail safe to close) With fixed flanges PP-H serrated metric

Model:

- Control pressure supply through integrated NAMUR interface according VDI/VDE 3845 with 5.6 bar (81.2 psi)
- Control time 90°<) 1-2s
- For easy installation and removal
- Integrated stainless steel mounting inserts
- Full plastic solution (actuator housing made of PP-GF)
- Visual position indicator
- Z-dimension, valve end and union nut are compatible with type 230 – 235 and 546 (1st Generation)

Option:

- Position feedback sensor, incl. LED feedback (DN10-50) - PNP, NPN and NAMUR
- Positioner RPC, RPC D, RPC PID
- Individual configuration of the valve



d (mm)	Size (inch)	DN (mm)	PN (bar)	kv-value ($\Delta p=1$ bar) (L/min)	EPDM Code	SP	Weight (kg)	FKM Code	SP	Weight (kg)
20	½	15	10	185	199 251 423	1	1.400	199 251 433	1	1.400
25	¾	20	10	350	199 251 424	1	1.600	199 251 434	1	1.600
32	1	25	10	700	199 251 425	1	1.800	199 251 435	1	1.377
40	1 ¼	32	10	1000	199 251 426	1	3.100	199 251 436	1	3.100
50	1 ½	40	10	1600	199 251 427	1	2.631	199 251 437	1	3.600
63	2	50	10	3100	199 251 428	1	3.348	199 251 438	1	4.700

d (mm)	Actuator	DE1 (mm)	M1 (mm)	M2 (mm)	Lmax (mm)	H2 (mm)	G2 (mm)	G (mm)	H3 (mm)	Lz1 (mm)	Lz2 (mm)	b1 (mm)	k1 (mm)	D1 (mm)
20	PPA08	50	80	80	159	20	M5	G 1/4	41	48	48	12	33	95
25	PPA08	58	80	80	159	20	M5	G 1/4	41	56	56	13	38	103
32	PPA15	68	106	106	211	20	M5	G 1/4	45	59	59	14	43	115
40	PPA15	84	106	106	211	20	M5	G 1/4	45	67	67	15	50	138
50	PPA40	97	123	123	246	20	M5	G 1/4	56	74	74	16	55	148
63	PPA40	124	123	123	246	20	M5	G 1/4	56	85	85	18	63	163

d (mm)	L (mm)	z (mm)	E (mm)	X7 (mm)	Y1 (mm)	Y (mm)	H (mm)	X10 (mm)	B3 (mm)	BG (mm)	Wmax (mm)	V1 (mm)	H4 (mm)	G1 (mm)	da2 (mm)
20	130	96	74	43	35	75	115	35	25	M6	210	27	12	M5	33
25	150	111	74	43	35	75	115	35	25	M6	210	30	12	M5	33
32	160	118	94	51	35	88	128	35	25	M6	210	36	12	M5	33
40	180	133	94	51	33	88	128	33	45	M8	210	44	15	M5	33
50	200	147	120	62	33	111	151	33	45	M8	210	51	15	M5	33
63	230	169	120	62	36	111	151	36	45	M8	210	64	15	M5	33

d (mm)	X6 (mm)	X5 (mm)
20	30	80
25	30	80
32	30	80
40	30	80
50	30	80
63	30	80

The technical data are not binding. They neither constitute expressly warranted characteristics nor guaranteed properties nor a guaranteed durability. They are subject to modification. Our General Terms of Sale apply.

Data sheet

valid from: 2/8/25



Georg Fischer Piping Systems Ltd, Postfach, CH-8201 Schaffhausen/Switzerland Phone +41 -(0)52-631 1111 e-mail:
info.ps@georgfischer.com Internet: <http://www.gfps.com>