



Lug-style end installation butterfly valve type 565L PVDF/PA-GF
With pneumatic actuator - fail safe to open (FO)
Flange standard ANSI / ASTM / ASME
Suitable for ABS, PVC-U, PVC-C, ecoFIT, COOL-FIT and PROGEF Systems

Model:

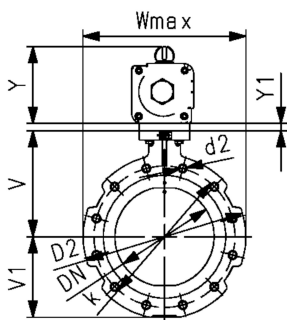
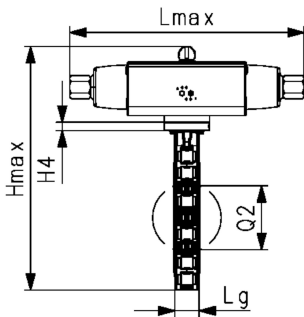
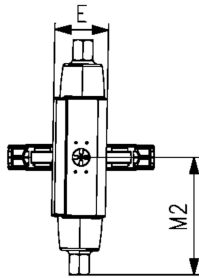
- Installation length: EN558 row 20, ISO 5752 row 20, API 609 table 2
- Flange standards: ANSI/ASME B 16.5 Class 150, BS 1560: 1989 Class 125/150; BS 4504 PN10/16
- For easy installation and removal
- Control time 0-90° 1-2s
- Control pressure supply through integrated NAMUR interface according VDI/VDE 3845 with 5.6 bar (81.2 psi)
- Full plastic solution (actuator housing made of PP-GF)
- Switching Ring for the double sensor for electrical position feedback is pre-assembled. Double-sensor can be ordered as accessory
- Suitable for water and water treatment applications (e.g. sea water, drinking water and industrial water)

Option:

- Individual configuration of the valve possible
- Hand or electric actuators from GF
- Double sensor for electrical position feedback incl. LED feedback

Note:

For some material combination (e.g. DN300 valves with PE/PP pipes) special flange adapters are needed. Please check the "Perfect flange connection tool" on www.gfps.com



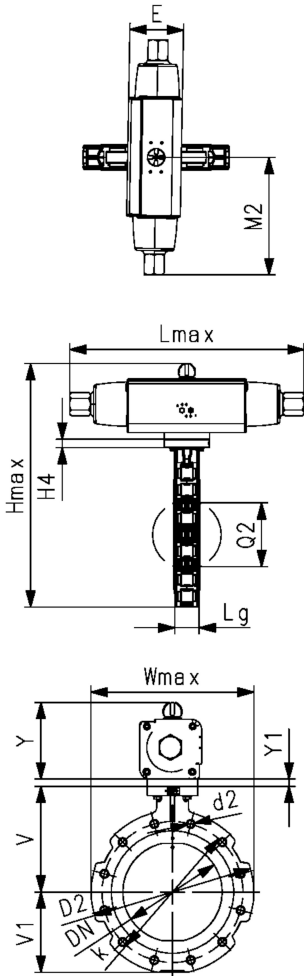
d (mm)	DN (mm)	Size (inch)	PN (bar)	kv-value ($\Delta p=1$ bar) (L/min)	Actuator	EPDM Code	PF Weight (kg)
63	50	2	16	1445	PA30	199 576 540	3 39 A00 001 3.849
75	65	2 ½	16	2530	PA30	199 576 541	3 39 A00 001 4.169
90	80	3	16	4020	PA35	199 576 542	3 39 A00 001 5.319
110	100	4	16	5850	PA40	199 576 543	3 39 A00 001 7.496
140	125	5	16	11900	PA45	199 576 544	3 39 A00 001 9.728
160	150	6	16	18050	PA50	199 576 545	3 39 A00 001 12.591
225	200	8	10	43667	PA60	199 576 546	3 39 A00 001 18.891
280	250	10	10	62333	PA65	199 576 547	3 39 A00 001 24.676
315	300	12	6	94500	PA70	199 576 548	3 39 A00 001 37.302

d (mm)	DN (mm)	FKM Code	PF Weight (kg)
63	50	199 576 560	3 39 A00 001 3.918
75	65	199 576 561	3 39 A00 001 4.271
90	80	199 576 562	3 39 A00 001 5.442
110	100	199 576 563	3 39 A00 001 7.672
140	125	199 576 564	3 39 A00 001 9.988
160	150	199 576 565	3 39 A00 001 12.909
225	200	199 576 566	3 39 A00 001 19.347
280	250	199 576 567	3 39 A00 001 25.356
315	300	199 576 568	3 39 A00 001 38.432

d (mm)	DN (mm)	Hmax (mm)	Lmax (mm)	Wmax (mm)	V (mm)	V1 (mm)	Y (mm)	Lg (mm)	Q2 (mm)	k (mm)	d2 (mm)	D2 (mm)	H4 (mm)
63	50	316.6	274.4	140	133.3	70.1	27	43	28.3	120.7	UNC 5/8	155	23
75	65	333.9	274.4	161	139.9	80.8	27	46	43.8	139.7	UNC 5/8	175	23
90	80	363.0	325.2	180	145.6	91.3	27	46	63.5	152.4	UNC 5/8	190	23
110	100	387.4	359.6	211	166.4	106.2	16	52	83.7	190.5	UNC 5/8	221	23
140	125	449.8	418.0	239	180.0	120.3	16	56	110.4	215.9	UNC 3/4	250	23

Data sheet

valid from: 4/3/25



d	DN	Hmax	Lmax	Wmax	V	V1	Y	Lg	Q2	k	d2	D2	H4
(mm)	(mm)	(mm)	(mm)	(mm)	(mm)	(mm)	(mm)	(mm)	(mm)	(mm)	(mm)	(mm)	(mm)
160	150	474.5	434.0	263	189.0	132.4	19	56	137.3	241.3	UNC 3/4	277	23
225	200	546.8	547.3	319	209.5	160.3	19	60	191.1	298.5	UNC 3/4	337	23
280	250	668.6	646.0	403	262.5	199.1	40	68	238.9	362.0	UNC 7/8	403	23
315	300	746.9	681.0	482	284.3	235.5	40	78	285.5	431.8	UNC 7/8	479	23

d	DN	E	Y1	M2
(mm)	(mm)	(mm)	(mm)	(mm)
63	50	11	15	137.2
75	65	11	15	137.2
90	80	11	15	162.6
110	100	14		179.8
140	125	14		209.0
160	150	17		217.0
225	200	17		274.0
280	250	22	17	323.0
315	300	22	17	340.5

The technical data are not binding. They neither constitute expressly warranted characteristics nor guaranteed properties nor a guaranteed durability. They are subject to modification. Our General Terms of Sale apply.

Georg Fischer Piping Systems Ltd, Postfach, CH-8201 Schaffhausen/Switzerland Phone +41 -(0)52-631 1111 e-mail: info.ps@georgfischer.com Internet: <http://www.gfps.com>