

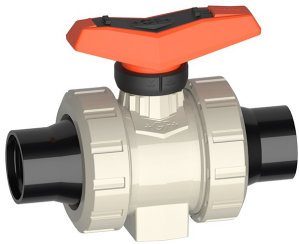
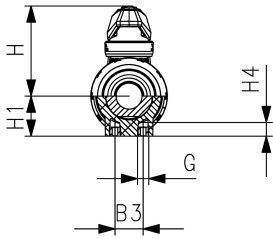
**ecoFIT Ball Valve type 546 Pro PP-H**  
**With butt fusion spigots PE100 SDR17.6 ISO**

**Model:**

- Lockable lever as standard
- Ball seals PTFE
- Integrated stainless steel mounting inserts
- Z-dimension, valve end and union nut **are compatible** with type 546 (1<sup>st</sup> Generation)

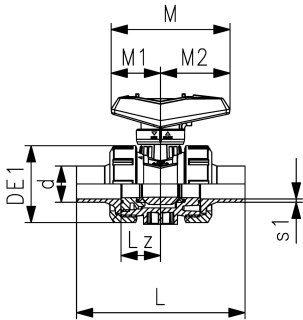
**Option:**

- Interface module for position feedback sensor with LED (PNP, NPN and NAMUR)
- Manual spring return lever "Dead man" (DN10-25)
- Pneumatic or electric actuators from GF
- Individual configuration of valves possible



| d    | DN   | Size   | PN    | kv-value            | EPDM               | SP | Weight | FKM                | SP | Weight |
|------|------|--------|-------|---------------------|--------------------|----|--------|--------------------|----|--------|
| (mm) | (mm) | (inch) | (bar) | ( $\Delta p=1$ bar) | Code               |    | (kg)   | Code               |    | (kg)   |
| 50   | 40   | 1 1/2  | 10    | 1600                | <b>167 546 126</b> | 1  | 0.620  | <b>167 546 136</b> | 1  | 0.620  |
| 63   | 50   | 2      | 10    | 3100                | <b>167 546 127</b> | 1  | 1.200  | <b>167 546 137</b> | 1  | 1.200  |

| d    | B3   | DE1  | G    | H     | H1   | H4   | L    | Lz   | M    | M1   | M2   | s1   |
|------|------|------|------|-------|------|------|------|------|------|------|------|------|
| (mm) | (mm) | (mm) | (mm) | (mm)  | (mm) | (mm) | (mm) | (mm) | (mm) | (mm) | (mm) | (mm) |
| 50   | 45   | 97   | M8   | 101.5 | 51   | 15   | 191  | 45   | 131  | 57   | 74   | 2.9  |
| 63   | 45   | 124  | M8   | 116.5 | 64   | 15   | 220  | 51   | 152  | 66   | 86   | 3.6  |



The technical data are not binding. They neither constitute expressly warranted characteristics nor guaranteed properties nor a guaranteed durability. They are subject to modification. Our General Terms of Sale apply.

Georg Fischer Piping Systems Ltd, Postfach, CH-8201 Schaffhausen/Switzerland Phone +41 -(0)52-631 1111 e-mail: info.ps@georgfischer.com Internet: <http://www.gfps.com>