



PROGEF Plus Lug-style end installation butterfly valve type 578 silicone free
With hand lever
Flange standard ANSI/ASME

Model:

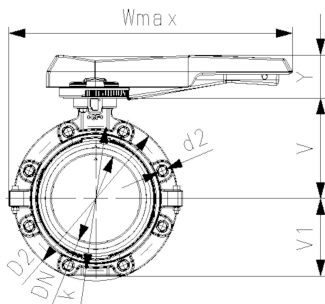
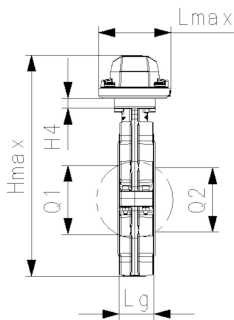
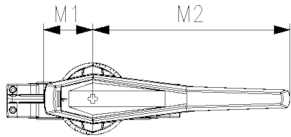
- Housing material: PP-GF30 with SS316 lug-inserts
- Overall length according to EN 558, ISO 5752 (DN50 - 200 line 25, DN250 - 300 line 10)
- Connecting dimension ANSI/ASME B 16.5 Class 150
- Silicone free/paint-compatible
- We recommend for the dimensions DN250 and DN300 only 6 bar maximum system pressure for the hand lever version

Option:

- Optional accessory: Valve-Integrated position feedback with limit switches (limit switches have to be ordered separately)

Note:

For some material combination (e.g. DN300 valves with PE/PP pipes) special flange adapters are needed. Please check the "Perfect flange connection tool" on www.gfps.com



d (mm)	Size (inch)	DN (mm)	PN (bar)	kv-value ($\Delta p=1$ bar) (L/min)	EPDM Code	Weight (kg)	FKM Code	Weight (kg)
63	2	50	10	740	167 578 502	1.800	167 578 522	1.800
75	2 ½	65	10	1500	167 578 503	1.895	167 578 523	1.895
90	3	80	10	2400	167 578 504	2.251	167 578 524	2.251
110	4	100	10	3800	167 578 505	3.146	167 578 525	3.146
140	5	125	10	8600	167 578 506	4.660	167 578 526	4.660
160	6	150	10	11400	167 578 507	6.430	167 578 527	6.430
225	8	200	10	19900	167 578 508	8.625	167 578 528	8.625
280	10	250	6	34000	167 578 509	19.528	167 578 529	19.528
315	12	300	6	50000	167 578 510	26.106	167 578 530	26.106

d (mm)	Hmax (mm)	Lmax (mm)	Wmax (mm)	U (mm)	V (mm)	H4 (mm)	V1 (mm)	Lg (mm)	D2 (mm)	Q1 (mm)	Q2 (mm)	d2 (mm)	k (mm)
63	278.9	115.2	287.8	90	133.3	23	78.8	44.7	160	40		UNC 5/8	120.7
75	291.8	115.2	296.3	90	139.9	23	85.1	45.7	180	54	35	UNC 5/8	139.7
90	303.6	115.2	310.3	90	145.6	23	91.2	48.7	195	67	50	UNC 5/8	152.4
110	343.6	115.2	375.2	90	166.0	23	107.5	55.6	226	88	74	UNC 5/8	190.5
140	372.8	115.2	391.2	90	180.0	23	122.7	63.5	258	113	97	UNC 3/4	215.9
160	393.6	115.2	395.2	90	189.0	23	134.5	71.5	284	139	123	UNC 3/4	241.3
225	458.1	149.4	588.1	90	210.5	23	161.5	72.5	341	178	169	UNC 3/4	298.5
280	557.6	149.4	628.1	125	264.4	23	206.9	113.2	412	210	207	UNC 7/8	362.0
315	607.0	149.4	663.1	125	285.2	23	235.5	114.6	482	256	253	UNC 7/8	431.8

d (mm)	M1 (mm)	M2 (mm)
63	63.7	205.3
75	63.7	205.3
90	63.7	205.3
110	63.7	255.2
140	63.7	255.2
160	63.7	255.2
225	101.7	408.1
280	101.7	408.1
315	101.7	408.1

The technical data are not binding. They neither constitute expressly warranted characteristics nor guaranteed properties nor a guaranteed durability. They are subject to modification. Our General Terms of Sale apply.

Data sheet

valid from: 9/9/25



Georg Fischer Piping Systems Ltd, Postfach, CH-8201 Schaffhausen/Switzerland Phone +41 -(0)52-631 1111 e-mail:
info.ps@georgfischer.com Internet: <http://www.gfps.com>