



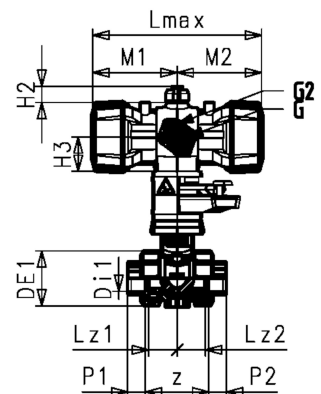
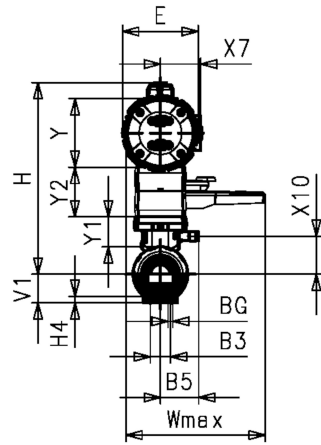
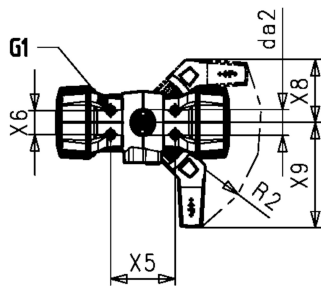
**SYGEF Standard PVDF Ball valve type 546 Pro with PPA FC (Fail safe to close)**  
**With manual override**  
**With fusion sockets metric**  
**4.2 bar control pressure**

**Model:**

- Control pressure supply through integrated NAMUR interface according VDI/VDE 3845 with 4.2 bar (60.9 psi)
- Control time 90° < 1-2 s
- For easy installation and removal
- Integrated stainless steel mounting inserts
- Full plastic solution (actuator housing made of PP-GF)
- Visual position indicator
- Z-dimension, valve end and union nut are compatible with type 230 – 235 and 546 (1st Generation)

**Option:**

- Position feedback sensor, incl. LED feedback (DN10-50) - PNP, NPN and NAMUR
- Positioner RPC, RPC D, RPC PID
- Individual configuration of the valve



d (mm)	DN (mm)	PN (bar)	kv-value ( $\Delta p=1$ bar) (L/min)	FKM Code	SP	Weight (kg)
16	10	10	70	199 253 962	1	1.500
20	15	10	185	199 253 963	1	1.500
25	20	10	350	199 253 964	1	1.600
32	25	10	700	199 253 965	1	1.700
40	32	10	1000	199 253 966	1	2.800
50	40	10	1600	199 253 967	1	3.100
63	50	10	3100	199 253 968	1	4.000

d (mm)	Actuator	DE1 (mm)	V1 (mm)	H4 (mm)	M1 (mm)	M2 (mm)	G2 (mm)	G (mm)	H3 (mm)	Lz1 (mm)	Lz2 (mm)	Lmax (mm)	E (mm)	Y1 (mm)
16	PPA15	50	27	12	106	106	M5	G 1/4	41	28	28	159	74	35
20	PPA15	50	27	12	106	106	M5	G 1/4	41	28	28	159	74	35
25	PPA15	58	30	12	106	106	M5	G 1/4	41	33	33	159	74	35
32	PPA15	68	36	12	123	123	M5	G 1/4	45	36	36	211	94	35
40	PPA40	84	44	15	123	123	M5	G 1/4	45	43	43	211	94	33
50	PPA40	97	51	15	123	123	M5	G 1/4	56	45	45	246	120	33
63	PPA40	124	64	15	123	123	M5	G 1/4	56	51	51	246	120	36

d (mm)	Y2 (mm)	Y (mm)	H (mm)	H2 (mm)	X10 (mm)	Wmax (mm)	G1 (mm)	da2 (mm)	X6 (mm)	X5 (mm)	X8 (mm)	X9 (mm)	R2	X7 (mm)	P1 (mm)
16	60	68	228	60	38	210	M5	33	30	80	78	132	R150	51	13
20	60	68	228	60	38	210	M5	33	30	80	78	132	R150	51	14
25	60	68	232	64	42	210	M5	33	30	80	78	132	R150	51	16
32	60	68	238	70	47	210	M5	33	30	80	78	132	R150	51	18
40	60	91	268	76	57	210	M5	33	30	80	78	132	R150	62	20
50	60	91	274	82	63	210	M5	33	30	80	78	132	R150	62	23
63	60	91	289	97	78	210	M5	33	30	80	78	132	R150	62	27

d (mm)	P2 (mm)	k1 (mm)	b1 (mm)	B3 (mm)	BG (mm)	z (mm)
16	13	93	56	25	M6	67
20	14	95	56	26	M6	67
25	16	108	65	27	M6	76
32	18	118	71	28	M6	82
40	20	136	85	29	M8	96
50	23	147	89	30	M8	101
63	27	168	101	31	M8	114

# Data sheet

valid from: 4/3/25

---



The technical data are not binding. They neither constitute expressly warranted characteristics nor guaranteed properties nor a guaranteed durability. They are subject to modification. Our General Terms of Sale apply.

Georg Fischer Piping Systems Ltd, Postfach, CH-8201 Schaffhausen/Switzerland Phone +41 -(0)52-631 1111 e-mail:  
info.ps@georgfischer.com Internet: <http://www.gfps.com>