

SYGEF Standard
Diaphragm valve DIASTAR Ten
FC (Fail safe to close)
Unions with fusion sockets metric

Model:

- Material: PVDF
- Double flow rate compared to predecessor
- One housing nut replaces four screws
- Rotating air connection at 90° intervals
- For easy installation and removal
- Short overall length

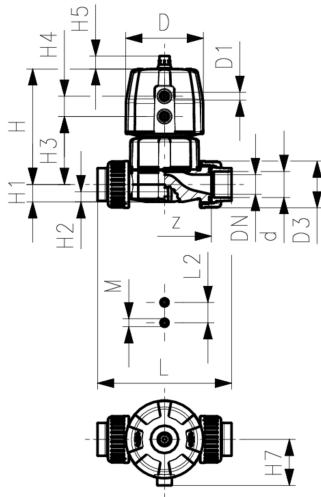
Option:

- Individual configuration of the valve
- Comprehensive range of accessories available

* PN: PTFE

Working Pressure: **one side**

* O-Ring material: FKM



d (mm)	DN (mm)	PN* (bar)	kv-value (Δp=1 bar) (l/min)	PTFE/EPDM Code	SP	Weight (kg)	PTFE/FKM Code	SP	Weight (kg)
20	15	10/10*	125	185 624 032	1	0.611	185 624 052	1	0.611
25	20	10/10*	271	185 624 033	1	1.216	185 624 053	1	1.216
32	25	10/10*	481	185 624 034	1	1.565	185 624 054	1	1.565
40	32	10/10*	759	185 624 035	1	2.489	185 624 055	1	2.489
50	40	10/10*	1263	185 624 036	1	4.266	185 624 056	1	4.266
63	50	10/6*	1728	185 624 037	1	5.358	185 624 057	1	5.358

d (mm)	FKM Code
20	185 624 062
25	185 624 063
32	185 624 064
40	185 624 065
50	185 624 066
63	185 624 067

d (mm)	D (mm)	D1_G (inch)	H (mm)	H1 (mm)	H2 (mm)	H3 (mm)	H4 (mm)	H5 (mm)	H7 (mm)	L (mm)	L2 (mm)	M	z (mm)	Lift = Hx (mm)
20	68	⅞	101	14	12	60	24	16	43	128	25	M6	100	7
25	96	⅞	132	18	12	73	25	16	57	150	25	M6	118	10
32	96	⅞	143	22	12	84	25	16	57	162	25	M6	126	13
40	120	⅞	173	26	15	99	26	26	69	184	45	M8	144	15
50	150	⅞	214	32	15	119	36	26	88	210	45	M8	164	19
63	150	⅞	226	39	15	132	36	26	88	248	45	M8	194	23

d (mm)	closest inch (inch)
20	⅓
25	⅓
32	1
40	1 ⅓
50	1 ½
63	2

Data sheet

valid from: 4/3/25



The technical data are not binding. They neither constitute expressly warranted characteristics nor guaranteed properties nor a guaranteed durability. They are subject to modification. Our General Terms of Sale apply.

Georg Fischer Piping Systems Ltd, Postfach, CH-8201 Schaffhausen/Switzerland Phone +41 -(0)52-631 1111 e-mail:
info.ps@georgfischer.com Internet: <http://www.gfps.com>