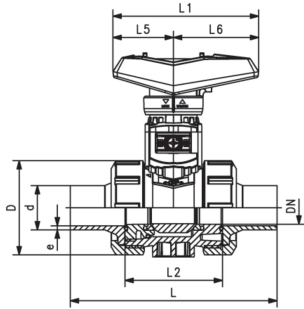




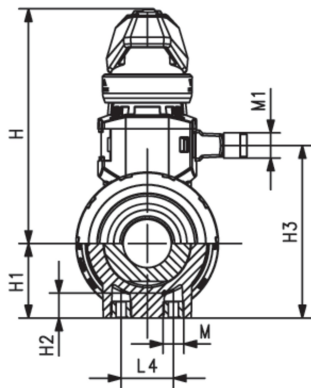
PROGEF Standard Ball valve type 546 Pro
With electrical position feedback

Model:

- Material: PP-H
- Double sensor (red=open/ green= close) enables electric position feedback, incl LED
- Lockable lever as standard (DN10-DN50)
- For easy installation and removal
- Ball seat PTFE
- Integrated stainless steel mounting inserts
- Z-dimension, valve end and union nut **are compatible** with type 546 (1st Generation)



d (mm)	DN (mm)	PN (bar)	kv-value ($\Delta p=1$ bar) (L/min)	FKM Code	SP	Weight (kg)
20	15	10	185	800 063 302	1	0.400
25	20	10	350	800 063 303	1	0.500
32	25	10	700	800 063 306	1	0.800
40	32	10	1000	800 063 308	1	0.680
50	40	10	1600	800 063 309	1	1.500
63	50	10	3100	800 063 311	1	1.340



d (mm)	D (mm)	H (mm)	H1 (mm)	H2 (mm)	L (mm)	L1 (mm)	L2 (mm)	L4 (mm)	L5 (mm)	L6 (mm)	M	e (mm)
20	50	93	27	12	130	82	56	25	35	47	M6	1.9
25	58	106	30	12	143	105	65	25	44	62	M6	2.3
32	68	112	36	12	150	105	71	25	44	62	M8	2.9
40	84	128	44	15	171	131	85	45	57	74	M8	3.7
50	97	135	51	15	190	131	89	45	57	74	M8	4.6
63	124	153	64	15	220	152	101	45	66	86	M8	5.8

The technical data are not binding. They neither constitute expressly warranted characteristics nor guaranteed properties nor a guaranteed durability. They are subject to modification. Our General Terms of Sale apply.

Georg Fischer Piping Systems Ltd, Postfach, CH-8201 Schaffhausen/Switzerland Phone +41 -(0)52-631 1111 e-mail:
 info.ps@georgfischer.com Internet: <http://www.gfps.com>