

**PROGEF Plus silicone free
Diaphragm valve type 515
With butt fusion spigots SDR11 metric**

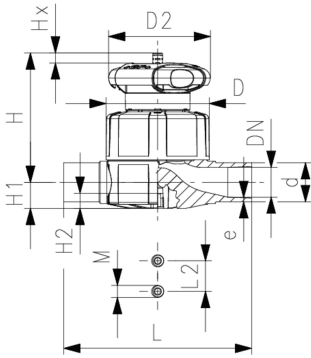
Model:

- Material: PP-H / silicone free cleaned
- Double flow rate compared to predecessor
- One housing nut replaces four screws
- Handwheel with built-in locking mechanism
- Overall length EN 558

Option:

- Individual configuration of the valve
- Self adjusting multifunctional module with integrated limit switches

* O-Ring material: FKM



d (mm)	DN (mm)	Size (inch)	PN (bar)	kv-value ($\Delta p=1$ bar) (l/min)	EPDM Code	PTFE/EPDM Code	Weight (kg)
20	15	½	10	125	167 515 122	167 515 172	0.307
25	20	¾	10	271	167 515 123	167 515 173	0.392
32	25	1	10	481	167 515 124	167 515 174	0.968
40	32	1 ¼	10	759	167 515 125	167 515 175	0.655
50	40	1 ½	10	1263	167 515 126	167 515 176	2.082
63	50	2	10	1728	167 515 127	167 515 177	2.629

d (mm)	D (mm)	D2 (mm)	H (mm)	H1 (mm)	H2 (mm)	L (mm)	L2 (mm)	M	e (mm)	Lift = Hx (mm)	closest inch (inch)
20	65	65	73	14	12	124	25	M6	1.9	7	½
25	80	65	81	18	12	144	25	M6	2.3	10	¾
32	88	87	107	22	12	155	25	M6	2.9	13	1
40	101	87	115	26	15	176	45	M8	3.7	15	1 ¼
50	117	135	148	32	15	193	45	M8	4.6	19	1 ½
63	144	135	166	39	15	223	45	M8	5.8	25	2

The technical data are not binding. They neither constitute expressly warranted characteristics nor guaranteed properties nor a guaranteed durability. They are subject to modification. Our General Terms of Sale apply.

Georg Fischer Piping Systems Ltd, Postfach, CH-8201 Schaffhausen/Switzerland Phone +41 -(0)52-631 1111 e-mail: info.ps@georgfischer.com Internet: <http://www.gfps.com>