



## Electric actuator type EA15/25/45/120/250

### Model:

- Heating element, position feedback (Open/Close/ Middle)
- All: Adjustable heater and 7-segment error LED included
- EA15: control and position feedback open/close
- EA25 - 250: control open/close/middle; position feedback open/close/middle ready to operate
- cUL E247458
- IP68 Rating

### Option:

- All: Fail-safe return unit
- EA25-250: Monitoring board, Positioner, Profibus DP board, Modbus TCP EA 25-250 Ethernet Interface Card

\*with adapter 198 000 587 F05 / SW 11, 198 204 057 F05 / SW 14

Type of actuator	Voltage	Torque nominal (N/m)	Torque maximal (N/m)	Interfaces
EA15	100-230V AC	10	20	F05 (SW 11/14)*
EA15	24V AC/DC	10	20	F05 (SW 11/14)*
EA25	100-230V AC	10	25	F05 (SW 11/14)*
EA25	24V AC/DC	10	25	F05 (SW 11/14)*
EA45	100-230V AC	20	45	F05 (SW 11/14)*
EA45	24V AC/DC	20	45	F05 (SW 11/14)*
EA120	100-230V AC	60	120	F07 (SW17)
EA120	24V AC/DC	60	120	F07 (SW17)
EA250	100-230V AC	100	250	F07 (SW22)
EA250	24V AC/DC	100	250	F07 (SW22)
EA15 cUL marked	100-230V AC	10	20	F05 (SW 11/14)*
EA15 cUL marked	24V AC/DC	10	20	F05 (SW 11/14)*
EA25 UL marked	100-230V AC	10	25	F05 (SW 11/14)*
EA25 cUL marked	24V AC/DC	10	25	F05 (SW 11/14)*
EA45 cUL marked	100-230V AC	20	45	F05 (SW 11/14)*
EA45 cUL marked	24V AC/DC	20	45	F05 (SW 11/14)*
EA120 cUL marked	100-230V AC	60	120	F07 (SW17)
EA120 cUL marked	24V AC/DC	60	120	F07 (SW17)
EA250 cUL marked	100-230V AC	100	250	F07 (SW22)
EA250 cUL marked	24V AC/DC	100	250	F07 (SW22)

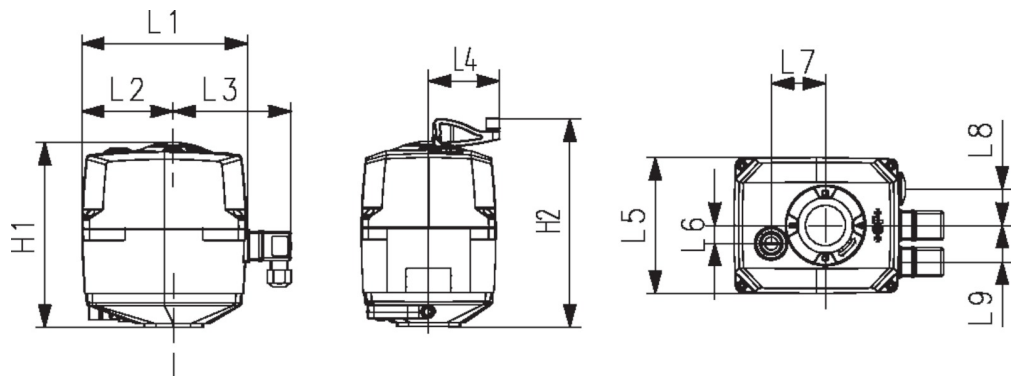
Type of actuator	Code
EA15	<b>198 153 180</b>
EA15	<b>198 153 181</b>
EA25	<b>198 153 182</b>
EA25	<b>198 153 183</b>
EA45	<b>198 153 184</b>
EA45	<b>198 153 185</b>
EA120	<b>198 153 186</b>
EA120	<b>198 153 187</b>
EA250	<b>198 153 188</b>
EA250	<b>198 153 189</b>
EA15 cUL marked	<b>198153200</b>
EA15 cUL marked	<b>198 153 201</b>
EA25 UL marked	<b>198 153 202</b>
EA25 cUL marked	<b>198 153 203</b>
EA45 cUL marked	<b>198 153 204</b>
EA45 cUL marked	<b>198 153 205</b>
EA120 cUL marked	<b>198 153 206</b>
EA120 cUL marked	<b>198 153 207</b>
EA250 cUL marked	<b>198 153 208</b>
EA250 cUL marked	<b>198 153 209</b>

# Data sheet

valid from: 1/24/25



Type of actuator	H1 (mm)	H2 (mm)	L1 (mm)	L2 (mm)	L3 (mm)	L4 (mm)	L5 (mm)	L6 (mm)	L7 (mm)	L8 (mm)	L9 (mm)
EA15	137	158	122	83.0	77	64.3	122	16	49		33
EA15	137	158	122	83.0	77	64.3	122	16	49		33
EA25	167	188	150	82.5	107	64.3	122	16	49	33	33
EA25	167	188	150	82.5	107	64.3	122	16	49	33	33
EA45	167	188	150	82.5	107	64.3	122	16	49	33	33
EA45	167	188	150	82.5	107	64.3	122	16	49	33	33
EA120	190	212	150	82.5	107	64.3	122	16	49	33	33
EA120	190	212	150	82.5	107	64.3	122	16	49	33	33
EA250	200	221	150	82.5	107	64.3	122	16	49	33	33
EA250	200	221	150	82.5	107	64.3	122	16	49	33	33
EA15 cUL marked	167	189	150	78.0	108	64.0	122	16	49	33	33
EA15 cUL marked	167	189	150	78.0	108	64.0	122	16	49	33	33
EA25 UL marked	167	189	150	83.0	98	64.0	122	16	49	33	33
EA25 cUL marked	167	189	150	83.0	98	64.0	122	16	49	33	33
EA45 cUL marked	167	189	150	83.0	98	64.0	122	16	49	33	33
EA45 cUL marked	167	189	150	83.0	98	64.0	122	16	49	33	33
EA120 cUL marked	190	212	150	83.0	98	64.0	122	16	49	33	33
EA120 cUL marked	190	212	150	83.0	98	64.0	122	16	49	33	33
EA250 cUL marked	200	221	150	83.0	98	64.0	122	16	49	33	33
EA250 cUL marked	200	221	150	83.0	98	64.0	122	16	49	33	33



The technical data are not binding. They neither constitute expressly warranted characteristics nor guaranteed properties nor a guaranteed durability. They are subject to modification. Our General Terms of Sale apply.

Georg Fischer Piping Systems Ltd, Postfach, CH-8201 Schaffhausen/Switzerland Phone +41 -(0)52-631 1111 e-mail: info.ps@georgfischer.com Internet: <http://www.gfps.com>