

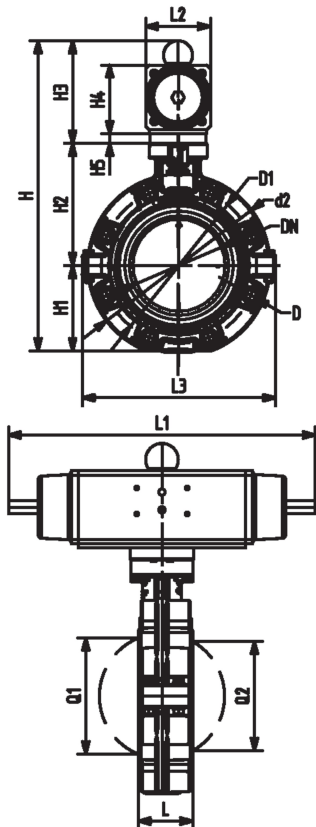
**PROGEF Standard Lug-style butterfly valve type 244
DA (Double acting)
Without manual override**

Model:

- Housing material: PP-GF30 with 316SS lug inserts
- Control range 90°
- Overall length according to EN 558, ISO 5752 (DN50 - 200 line 25, DN250 - 300 line 10)
- Connecting dimension: ANSI/ASME B 16.5 Class 150

Option:

- Optional accessory: Integrated position feedback with limit switches (sold separately)



| d (mm) | Size (inch) | DN (mm) | PN (bar) | Cv-value (l/min) | EPDM Code | FKM Code |
|-----------|----------------|------------|-------------|---------------------|--------------|-------------|
| 63 | 2 | 50 | 10 | 740 | 199 244 362 | 199 244 382 |
| 75 | 2 ½ | 65 | 10 | 1500 | 199 244 363 | 199 244 383 |
| 90 | 3 | 80 | 10 | 2400 | 199 244 364 | 199 244 384 |
| 110 | 4 | 100 | 10 | 3800 | 199 244 365 | 199 244 385 |
| 140 | 5 | 125 | 10 | 8600 | 199 244 366 | 199 244 386 |
| 160 | 6 | 150 | 10 | 11400 | 199 244 367 | 199 244 387 |
| 225 | 8 | 200 | 10 | 19900 | 199 244 368 | 199 244 388 |
| 280 | 10 | 250 | 8 | 34000 | 199 244 369 | 199 244 389 |
| 315 | 12 | 300 | 5 | 50000 | 199 244 370 | 199 244 390 |

| d (mm) | Size (inch) | d2 (mm) | D | D1 (mm) | H (mm) | H1 (mm) | H2 (mm) | H3 (mm) | H4 (mm) | H5 (mm) | L (mm) | L1 (mm) | L2 (mm) | L3 (mm) |
|-----------|----------------|------------|---------|------------|-----------|------------|------------|------------|------------|------------|-----------|------------|------------|------------|
| 63 | 2 | 160 | UNC 5/8 | 120.6 | 318 | 77 | 134 | 107 | 60 | 15 | 45 | 177 | 55 | 165 |
| 75 | 2 ½ | 180 | UNC 5/8 | 139.7 | 330 | 83 | 140 | 107 | 60 | 15 | 46 | 177 | 55 | 182 |
| 90 | 3 | 195 | UNC 5/8 | 152.4 | 348 | 89 | 146 | 113 | 66 | 15 | 49 | 190 | 60 | 210 |
| 110 | 4 | 226 | UNC 5/8 | 190.5 | 384 | 104 | 167 | 111 | 78 | | 56 | 235 | 72 | 240 |
| 140 | 5 | 258 | UNC 3/4 | 215.9 | 413 | 121 | 181 | 111 | 78 | | 64 | 235 | 72 | 272 |
| 160 | 6 | 284 | UNC 3/4 | 241.3 | 461 | 133 | 189 | 139 | 96 | | 72 | 279 | 90 | 300 |
| 225 | 8 | 341 | UNC 3/4 | 298.4 | 508 | 159 | 210 | 139 | 96 | | 73 | 279 | 90 | 360 |
| 280 | 10 | 412 | UNC 7/8 | 362.0 | 630 | 205 | 264 | 161 | 118 | | 113 | 350 | 112 | 440 |
| 315 | 12 | 482 | UNC 7/8 | 431.8 | 692 | 234 | 285 | 173 | 130 | | 113 | 381 | 124 | 510 |

| d (mm) | Size (inch) | Q1 (mm) | Type of actuator | Q2 (mm) |
|-----------|----------------|------------|------------------|------------|
| 63 | 2 | 40 | PA-35 DA | |
| 75 | 2 ½ | 54 | PA-35 DA | 35 |
| 90 | 3 | 67 | PA-40 DA | 50 |
| 110 | 4 | 88 | PA-45 DA | 74 |
| 140 | 5 | 113 | PA-45 DA | 97 |
| 160 | 6 | 139 | PA-55 DA | 123 |
| 225 | 8 | 178 | PA-55 DA | 169 |
| 280 | 10 | 210 | PA-65 DA | 207 |
| 315 | 12 | 256 | PA-70 DA | 253 |

The technical data are not binding. They neither constitute expressly warranted characteristics nor guaranteed properties nor a guaranteed durability. They are subject to modification. Our General Terms of Sale apply.

Georg Fischer Piping Systems Ltd, Postfach, CH-8201 Schaffhausen/Switzerland Phone +41 -(0)52-631 1111 e-mail: info.ps@georgfischer.com Internet: <http://www.gfps.com>