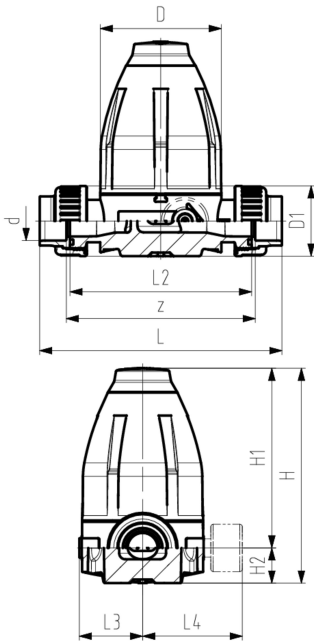


PVC-U 压力保持阀#586型
活接带胶粘承插端 美标ASTM
无压力表

型号:

- 膜片 PTFE/EPDM
 - 内置不锈钢固定螺孔
 - .5-9.0 bar (7-130 psi)
- .3-3.0 bar (4-44 psi) 需要定制
 压力表需要定制



d (mm)	DN (mm)	Size (inch)	PN (bar)	O-型圈 EPDM code	weight (kg)	SP	GP	O-型圈 FKM code
20	15	1/2	10	161 586 202	0,690	1		161 586 212
25	20	3/4	10	161 586 203	1,510	1		161 586 213
32	25	1	10	161 586 204	1,540	1		161 586 214
40	32	1 1/4	10	161 586 205	4,200	1		161 586 215
50	40	1 1/2	10	161 586 206	4,260	1		161 586 216
63	50	2	10	161 586 207	4,500	1		161 586 217

D (mm)	D1 (mm)	H (mm)	H1 (mm)	H2 (mm)	H3 (mm)	L (mm)	L2 (mm)	L3 (mm)	M	z (mm)	Inch (inch)
79	43	132	111	21	12	171	120	42	M6	126	1/2
100	51	177	148	29	14	207	150	53	M6	156	3/4
100	58	177	148	29	14	214	150	53	M6	156	1
147	72	251	207	44	21	275	205	76	M8	211	1 1/4
147	83	251	207	44	21	281	205	76	M8	211	1 1/2
147	101	251	207	44	21	288	205	76	M8	211	2

The technical data are not binding. They neither constitute expressly warranted characteristics nor guaranteed properties nor a guaranteed durability. They are subject to modification. Our General Terms of Sale apply.

Georg Fischer Piping Systems Ltd, Postfach, CH-8201 Schaffhausen/Switzerland Phone +41 -(0)52-631 1111e-mail:
 info.ps@georgfischer.com Internet: <http://www.gfps.com>